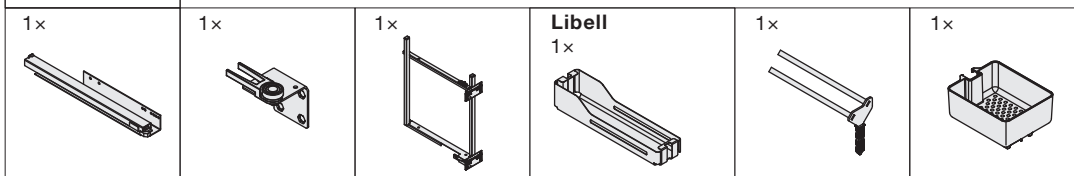
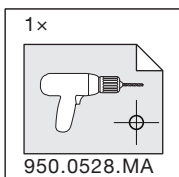
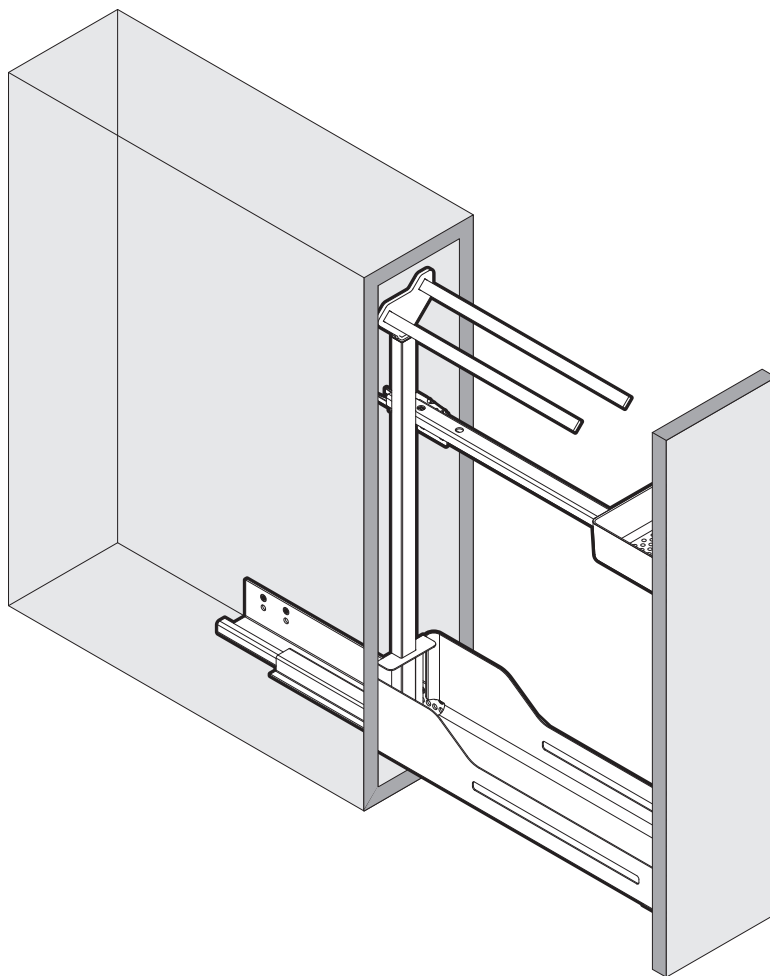


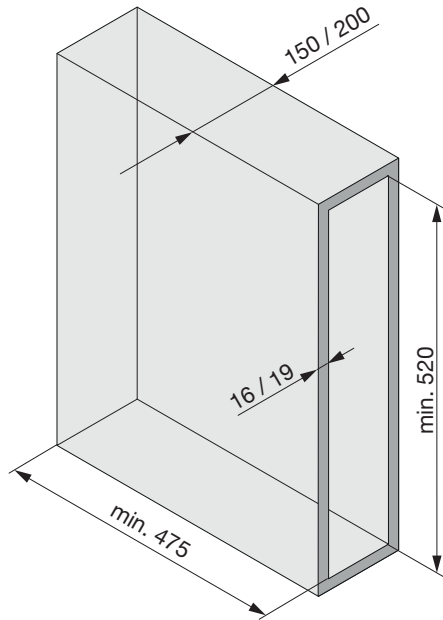


## Snello Libell 150 + Towel Rail

Towel rail extension for 150 mm wide units

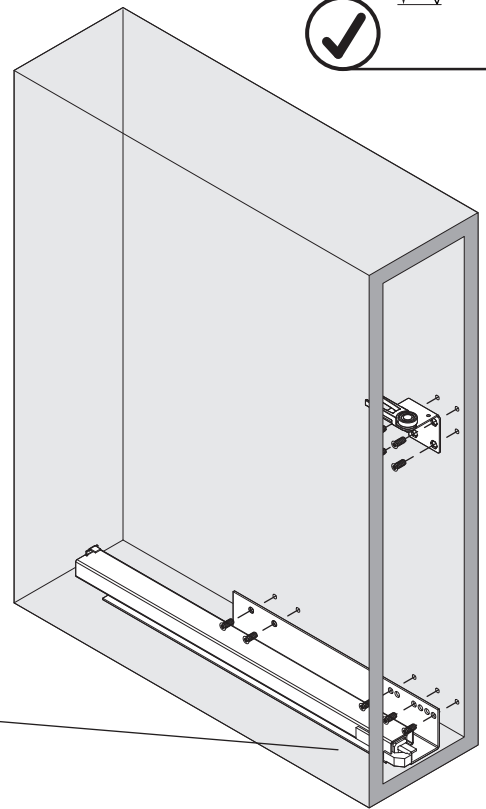
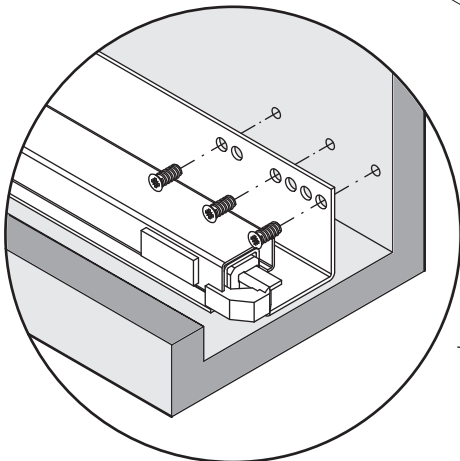
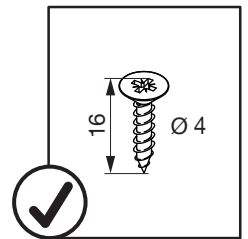
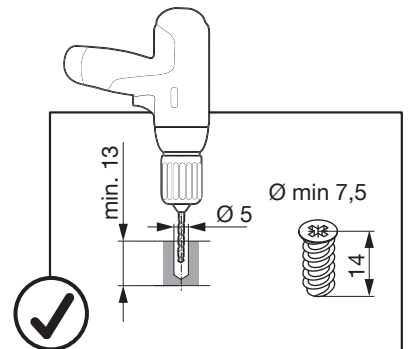
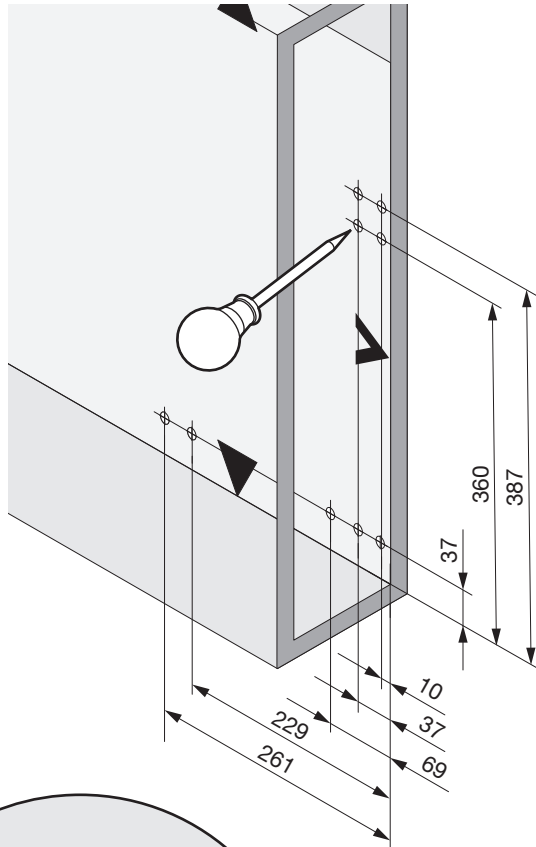
DESCRIPTION	NOVER CODE	PEKA CODE
SNELLO LIBELL TOWEL RAIL EXTENSION 150 WHITE	954064	200.2445.01
SNELLO LIBELL TOWEL RAIL EXTENSION 150 ANTHRACITE	954065	200.2445.43



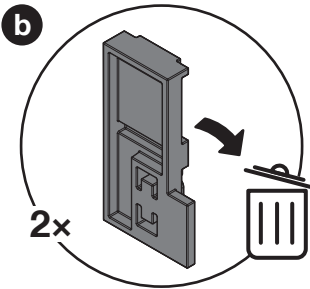
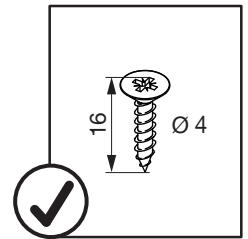
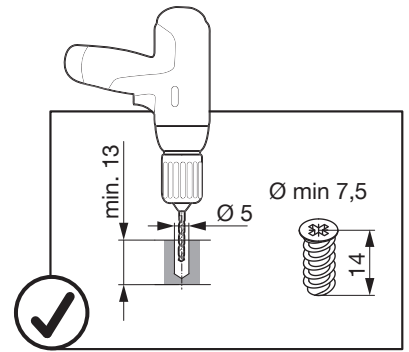
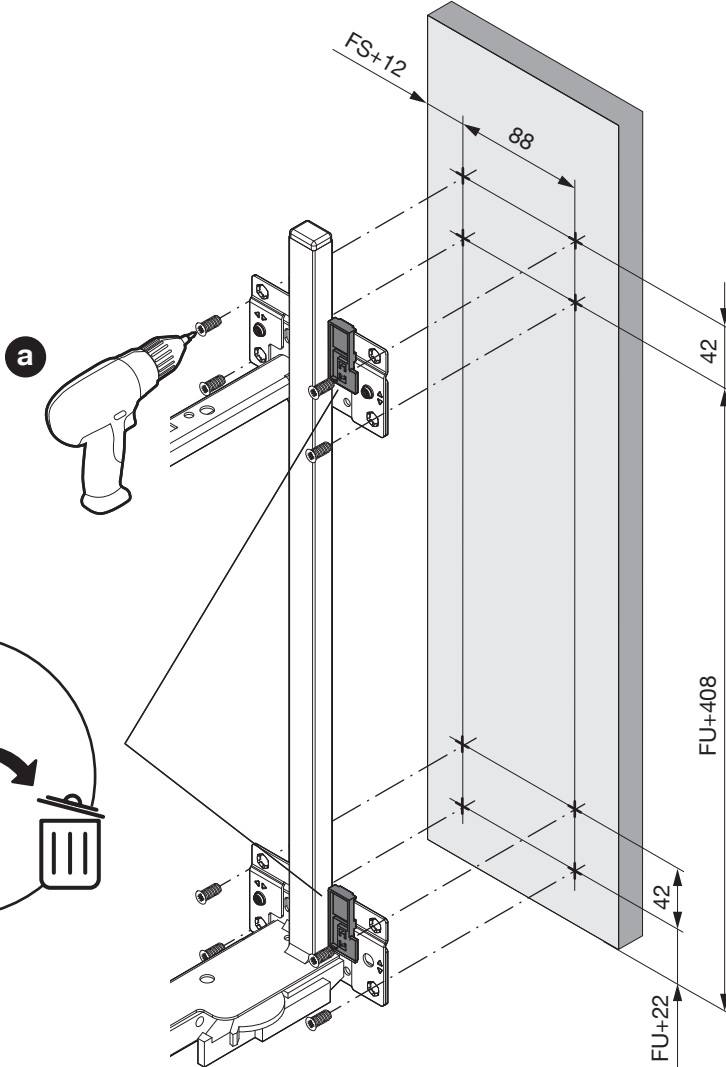
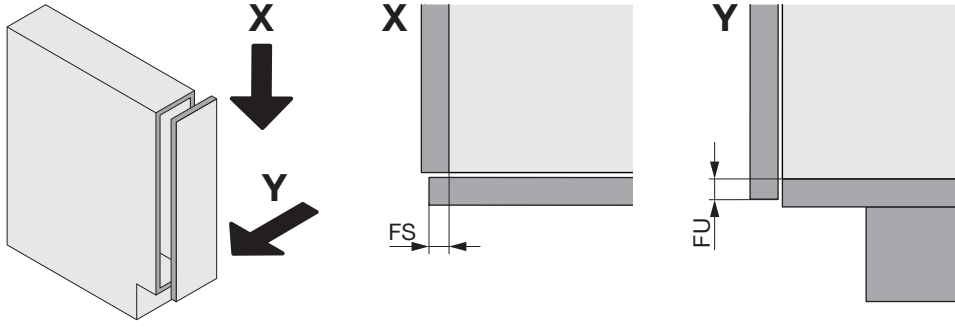
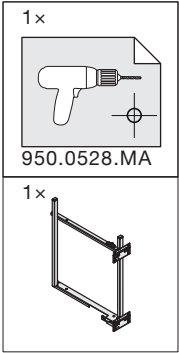


1

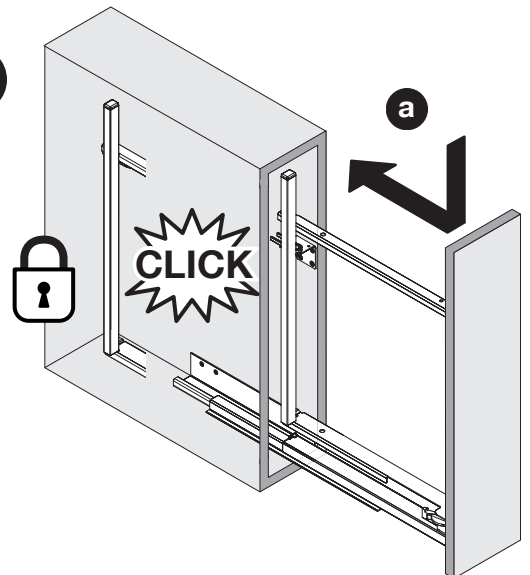
- 1x 950.0528.MA
- 1x
- 1x



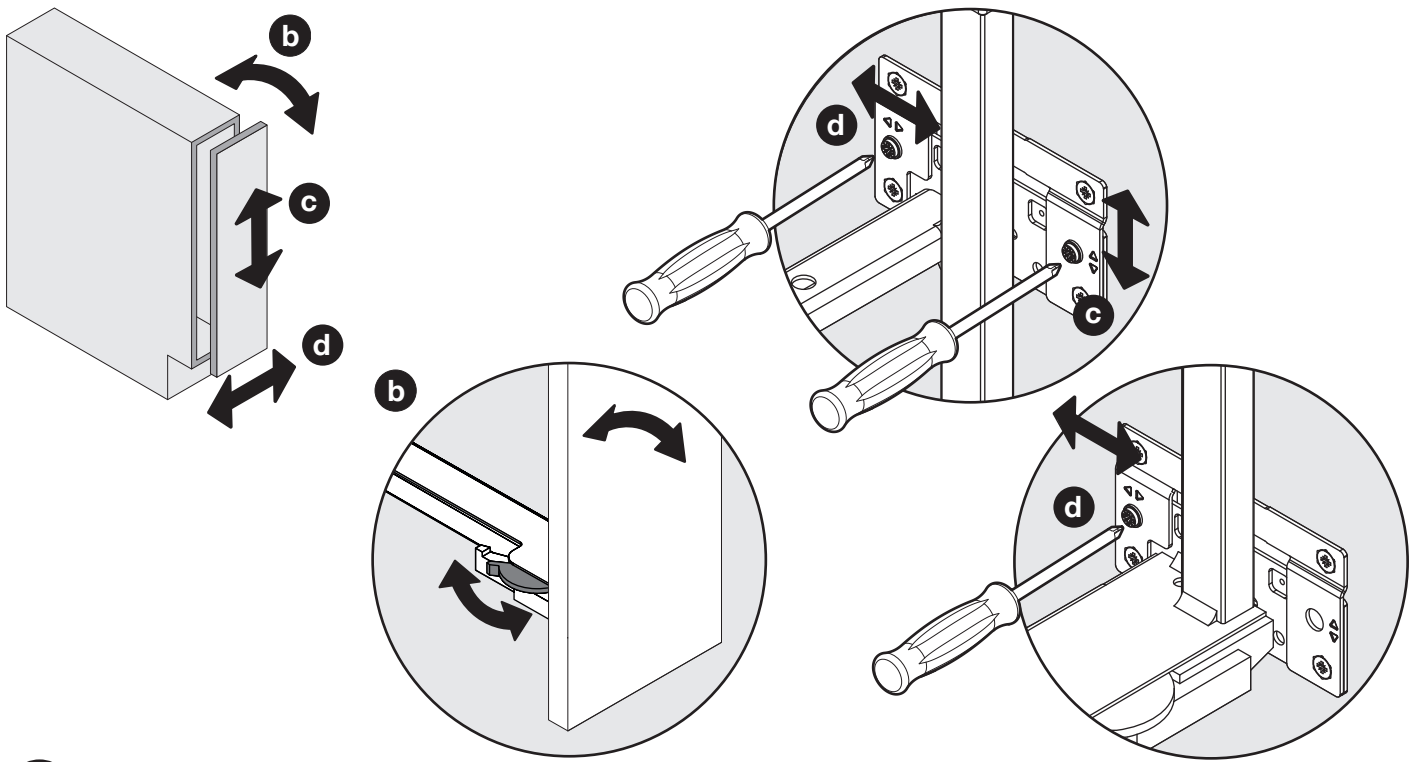
2



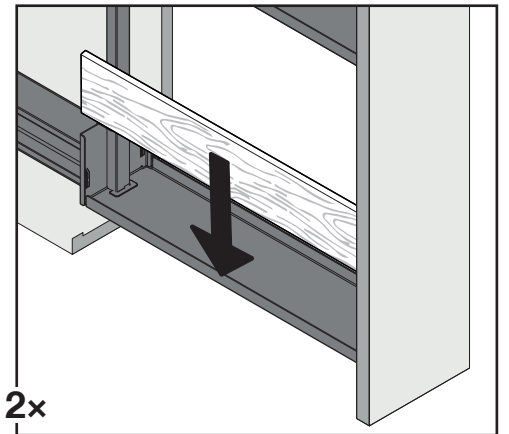
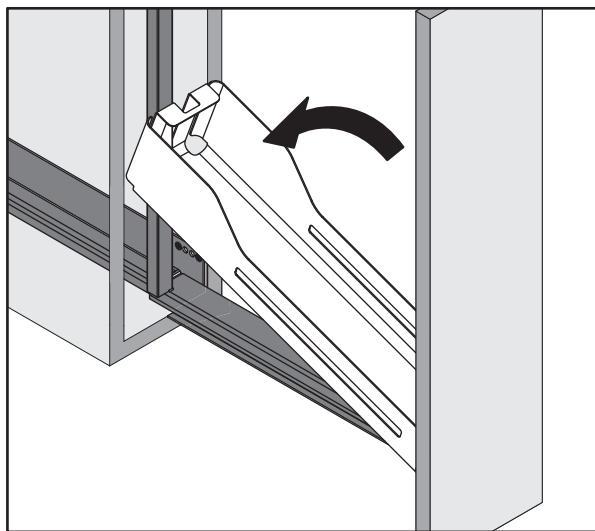
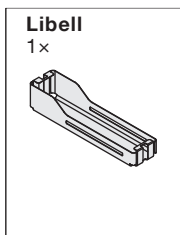
3



NOTE: For Snello "Push to Open" see instructions for product code 954157



**4**



**5**

