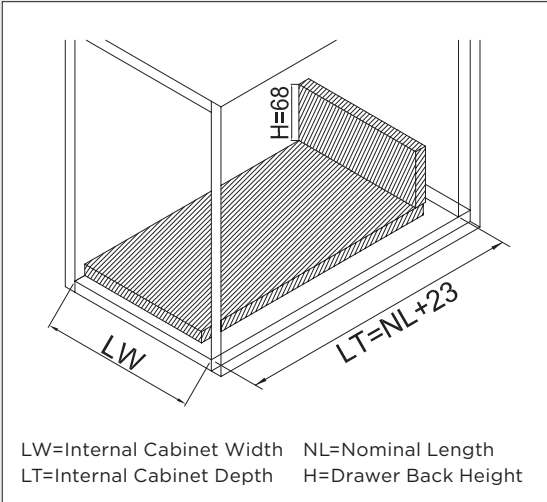


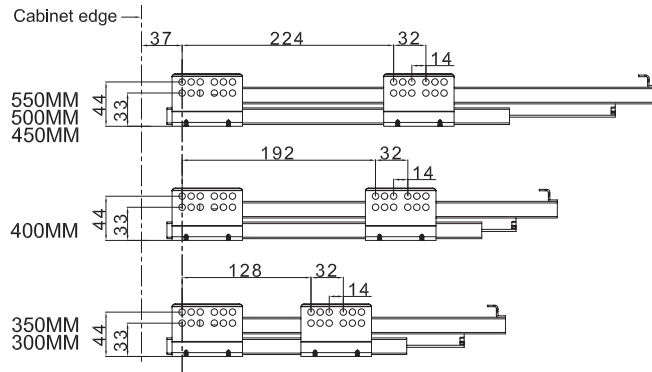
Krome Premium 88mm Internal Drawer Assembly Instructions

BOTTOM AND BACK PANEL MEASUREMENTS



RUNNER INSTALLATION FOR INTERNAL DRAWER

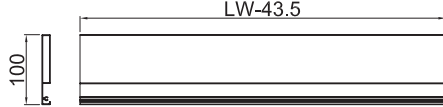
Cabinet rail installation (mm)



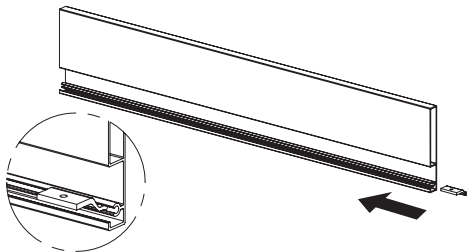
BASIC LENGTH:
300/350/400/450/500/550MM

CUTTING DIMENSIONS & ASSEMBLING THE DRAWER

Aluminium front panel

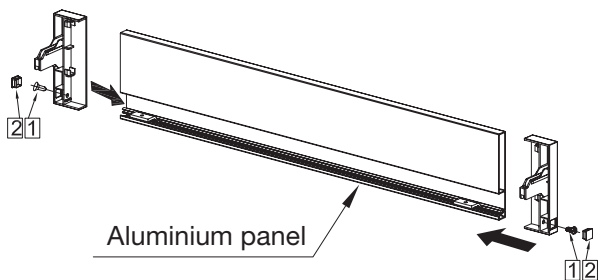


1. Insert the inner panel support

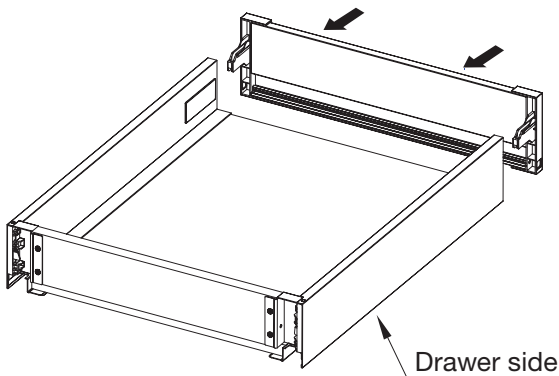


Note: Recommended for drawer front width greater than 600mm.

2. Combine internal front connectors with aluminium panel



3. Clip internal front brackets into drawer side



4. Assembly is complete

