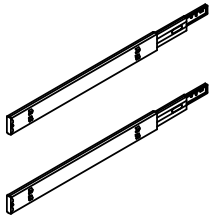
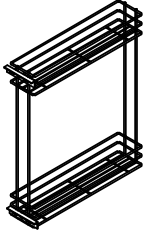




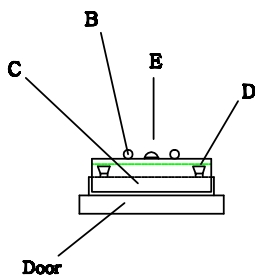
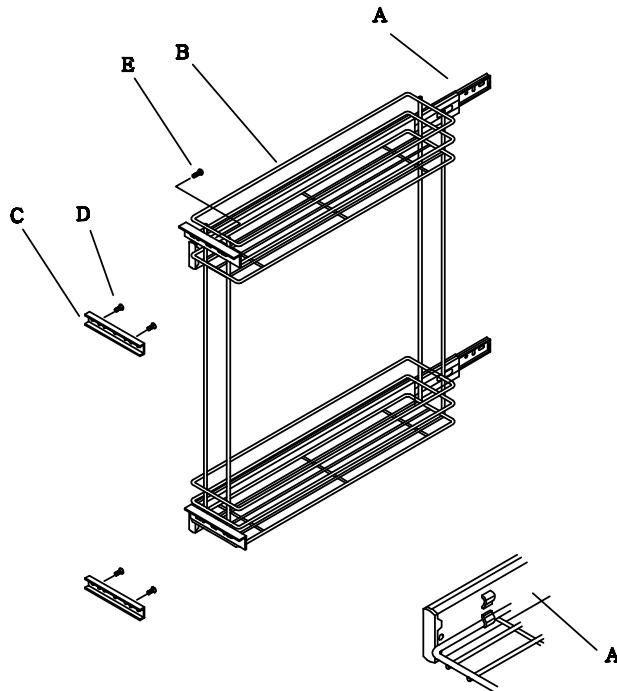
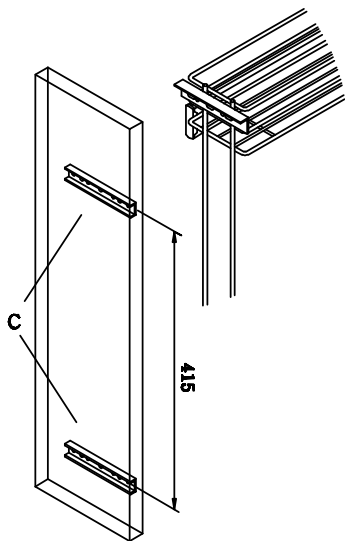
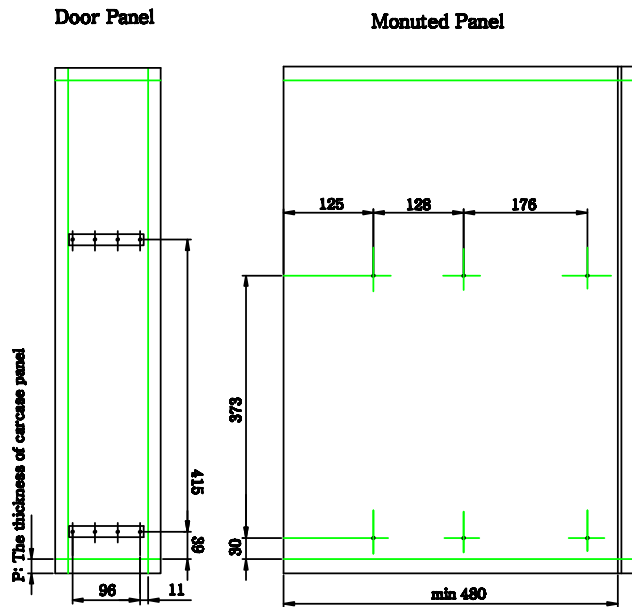


Installation Instructions

950016 for Side-mounted Pull-out Unit

| | | |
|---|--|--|
| A Slide | B Basket | |
|  |  | |
| C Door bracket | D Adjusted screw | E Fixed screw |
|  2 set |  4 pcs |  2 pcs |
| F Fixed screw | G | |
|  12 pcs | | |



- Step 1: Use Fixed screw (F) to screw Slide (A) on cabinet.
- Step 2: To hook Basket (B) on Slide (A).
- Step 3: Use Fixed screw (F) to screw Door bracket (D) on door panel.
- Step 4: Use Fixed screw (E) to combine Door bracket (C) and Basket (B).
- Step 5: Use Fixed screw (E) and Adjusted screw (D) to adjust the door panel.