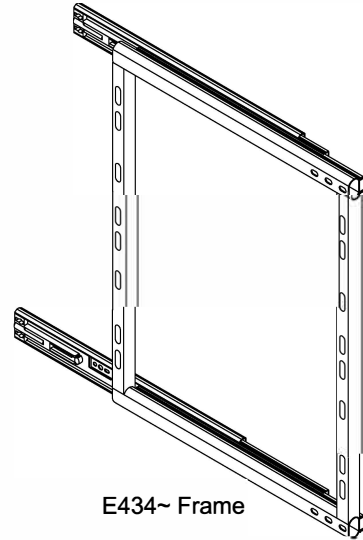
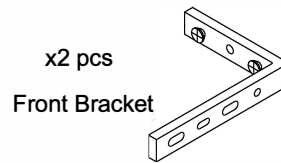
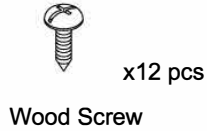


INSTALLATION INSTRUCTIONS

950018 for 200mm Side-mounted Pull-out Unit
 950020 for 300mm
 950022 for 400mm

Components



Installation

- 1: To install the Pull-out frame onto the side cabinet, using wood screws to screw the Upper & Lower slide on the inner side of cabinet.
- 2: Using wood screws to fix the Upper & Lower Front Brackets with Front Door.
- 3: Insert the Upper & Lower Front Brackets into Pull-out Frame.
- 4: Using fixing screws to fix the Upper and Lower Front Brackets with Pull-out Frame.
- 5: The adjustable screws are used to adjust the Front Door in a proper position.

