



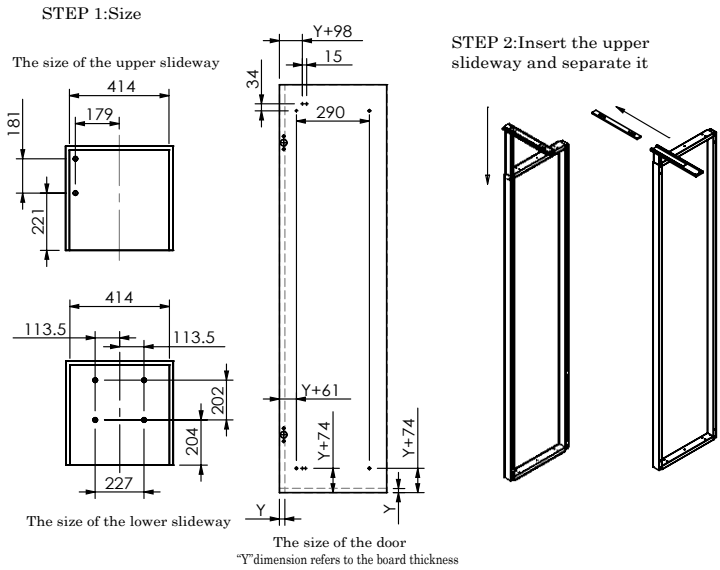


INSTALLATION INSTRUCTIONS

For Product Code 950032

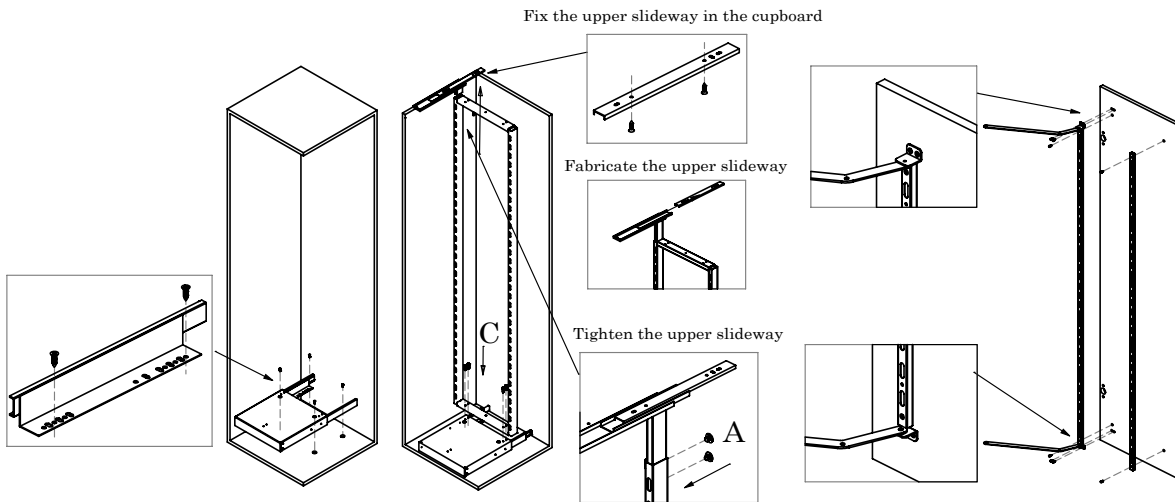
A		2pcs	M5X6L
B		2pcs	M5X10L
C		4pcs	M5X30L
D		2pcs	washer



STEP 3: Install the lower slideway

STEP 4: Fix the main part

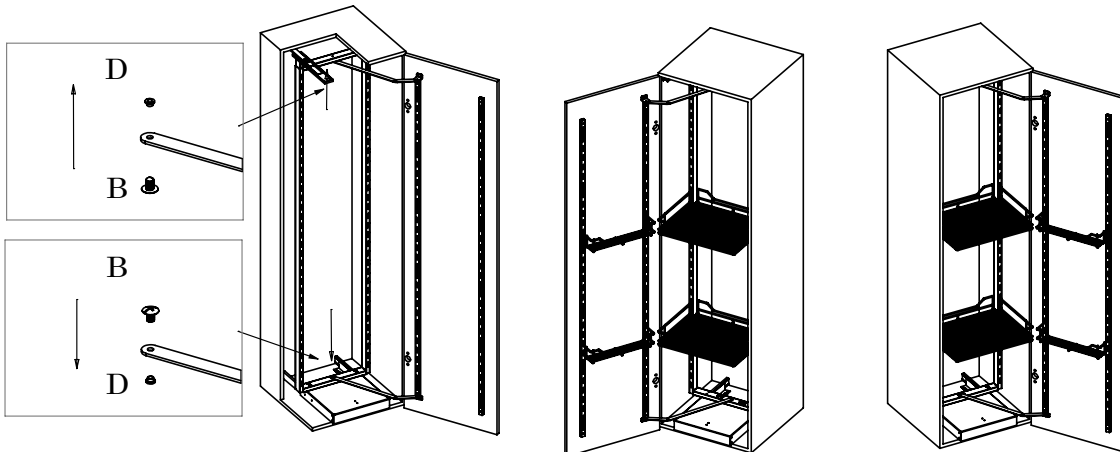
STEP 5: Fix the strips in the door



STEP 6: Fix the strip in the main part

Left

Right



Weight Capacity Runner for Inner Baskets 30Kg

P: 1300 668 371 E: info@nover.com.au W: www.nover.com.au