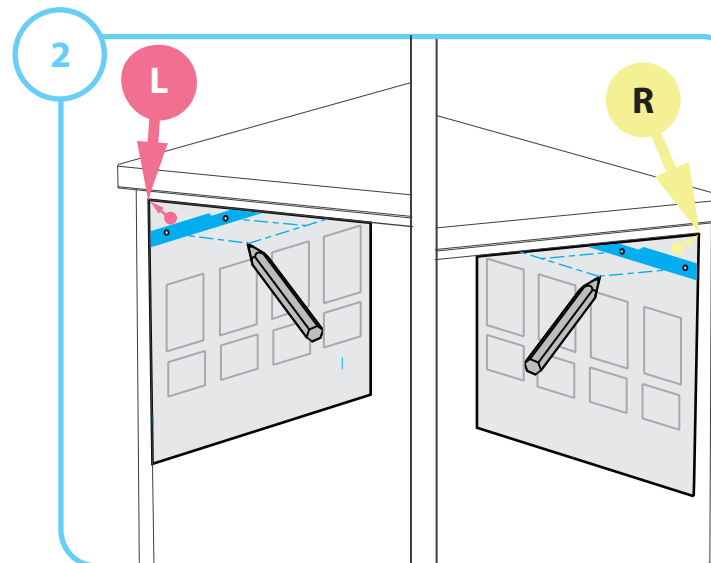
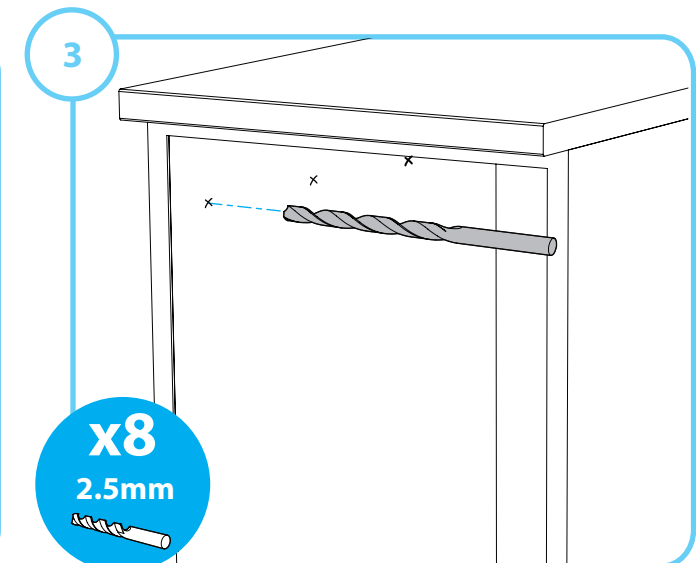


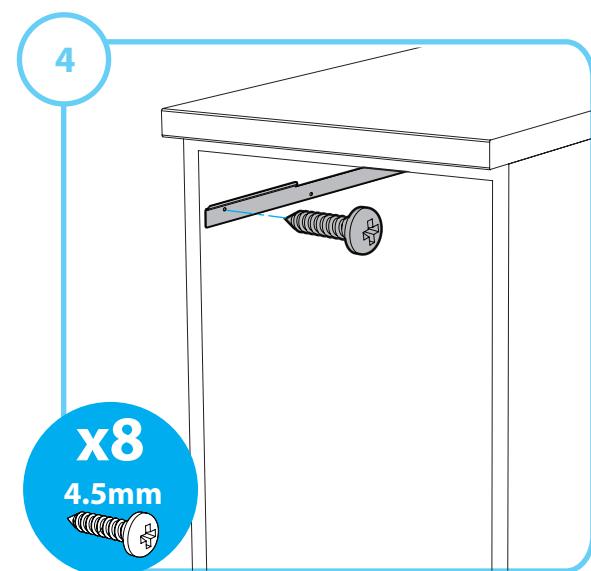
Supplied components



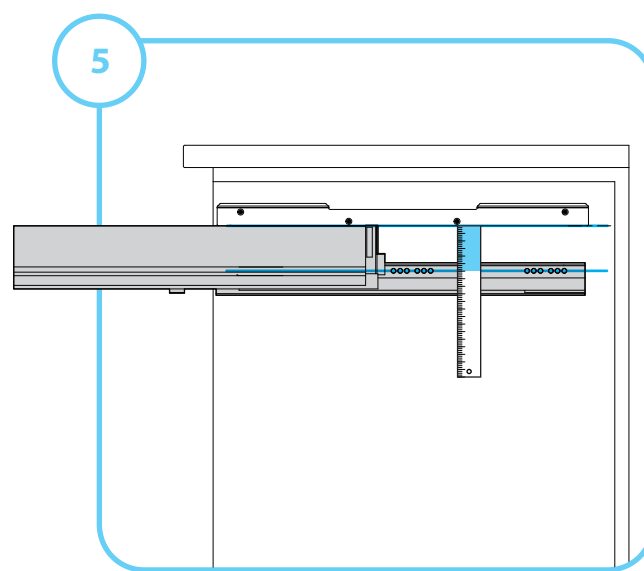
Use above template to mark holes



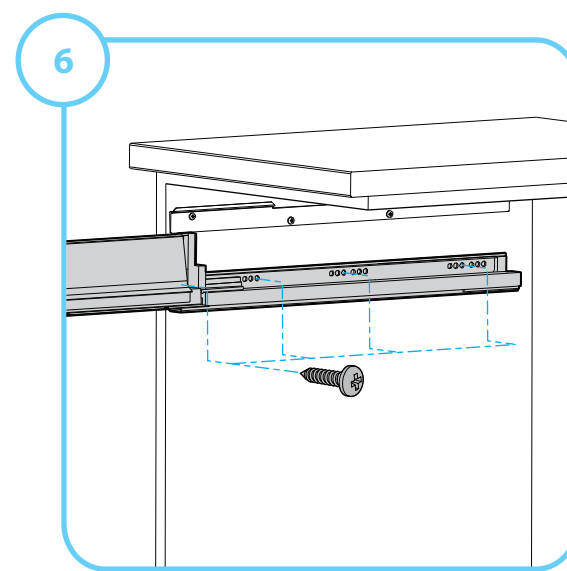
Drill marked holes



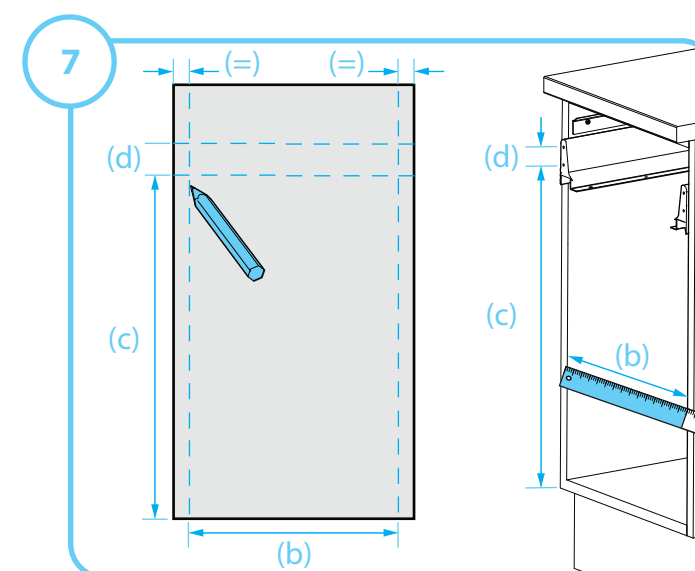
Attach both brackets



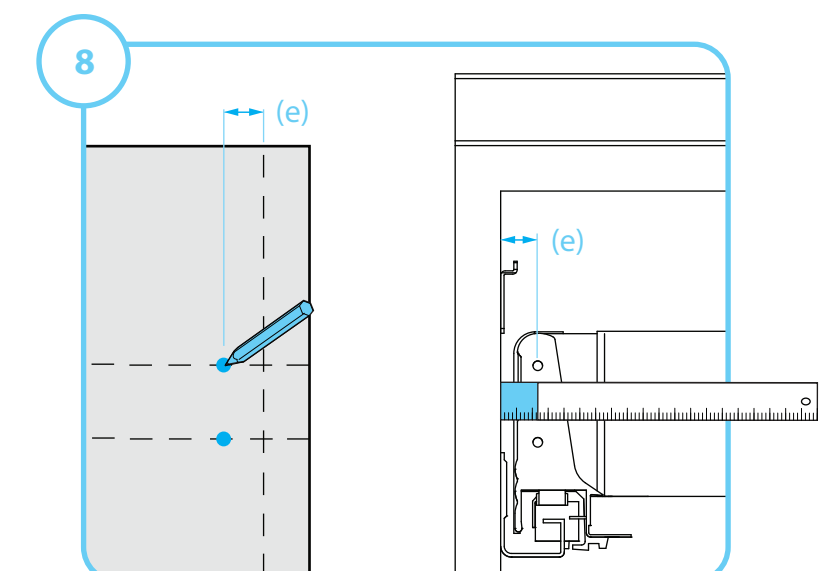
Align bottom of bracket with top of runner to measure location of mounting holes



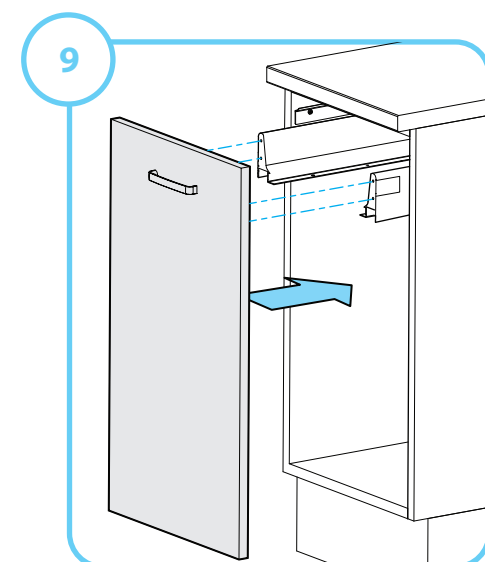
Mount runner as per manufacturers instructions (runners and screws not supplied)



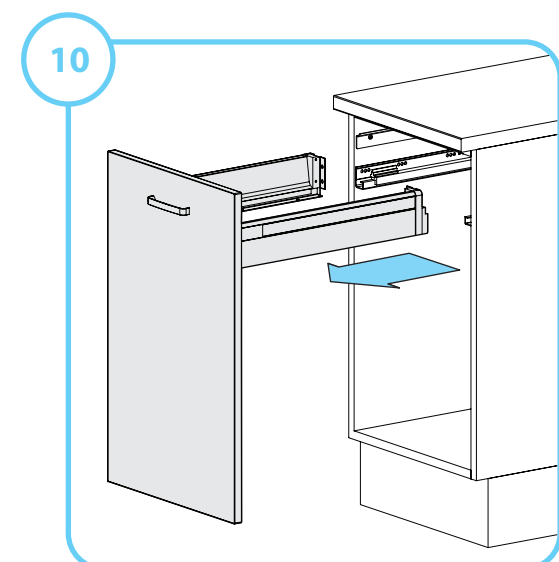
Measure the cabinet width (b), and the runner hole height (c), and spacing (d), mark on the door



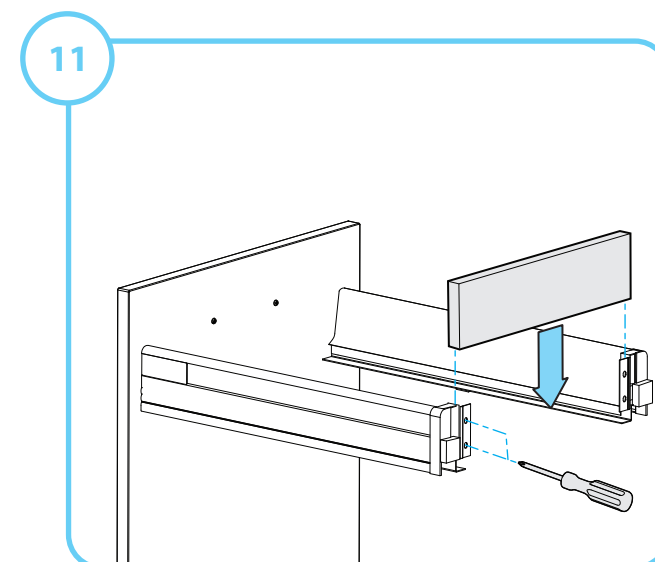
Measure the hole inset distance (e) and mark on the door



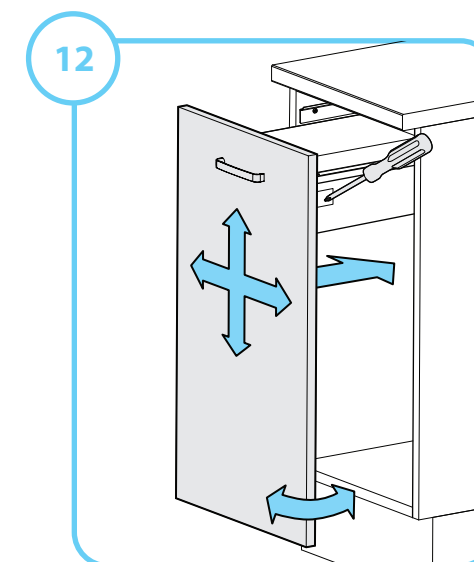
Mount door runner brackets to door and clip into the runners (screws not supplied)



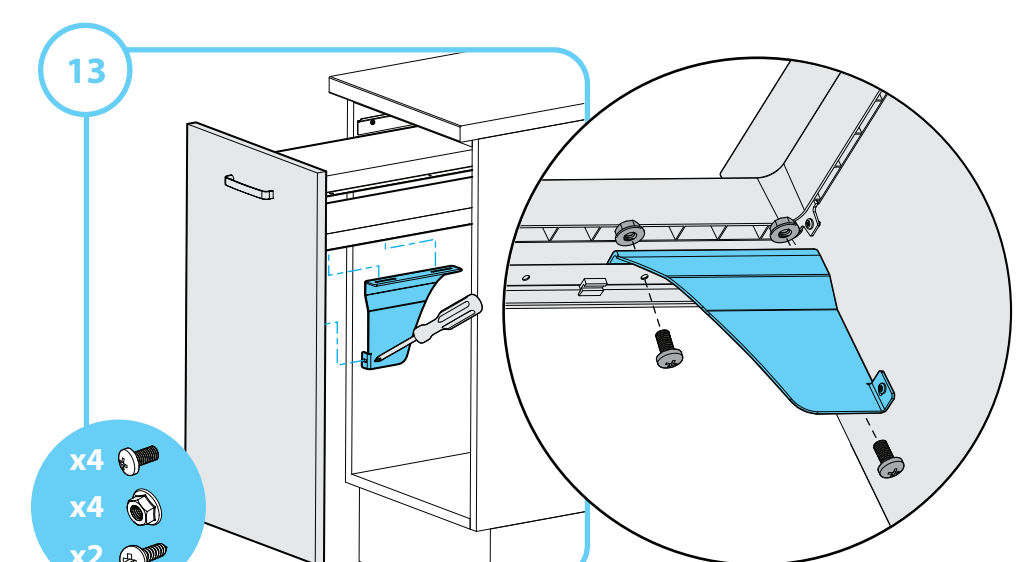
Remove drawer assembly



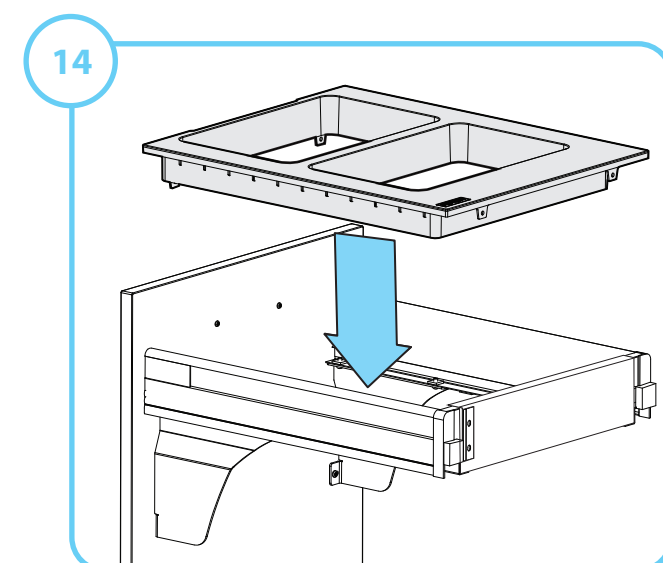
Install drawer back panel (refer to runner instructions for panel size, screws not supplied)



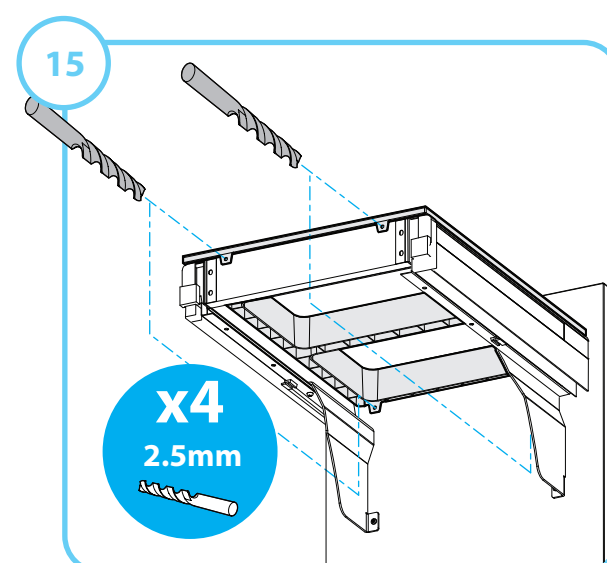
Re-install drawer assembly and adjust door



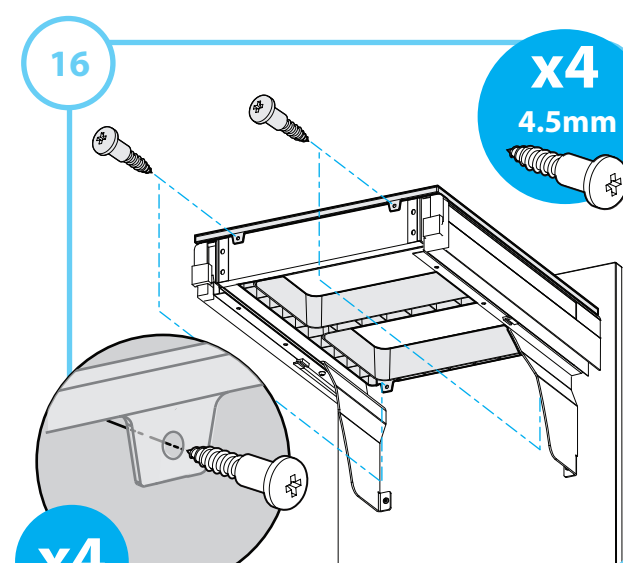
Attach door brackets above the runner edge with screws



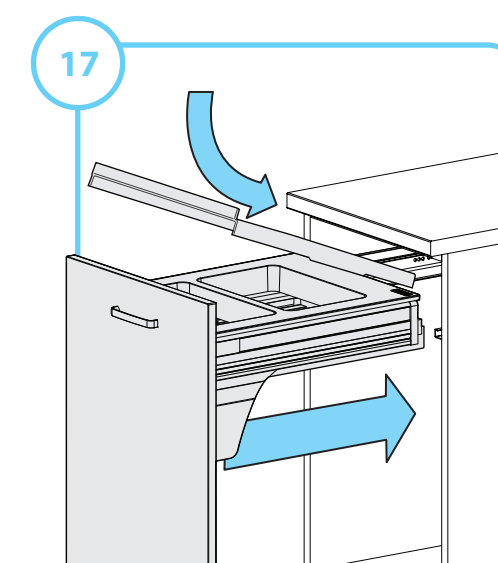
Install tray



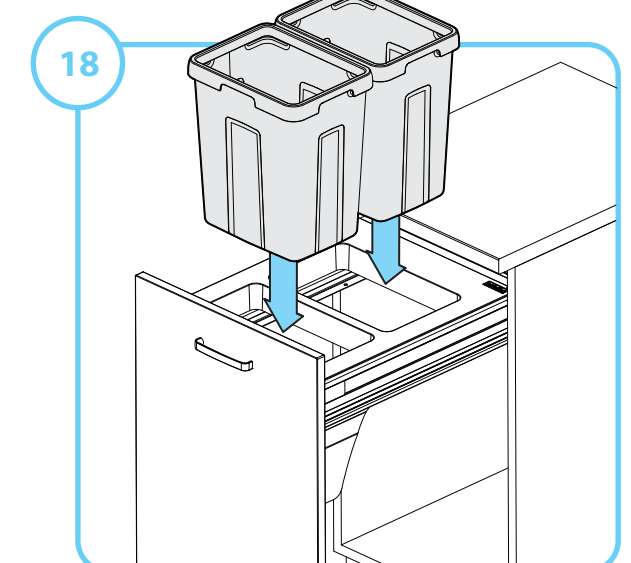
Center tray, mark and drill holes



Attach tray with stepped screws



Re-install drawer and insert metal lid



Insert bins in tray