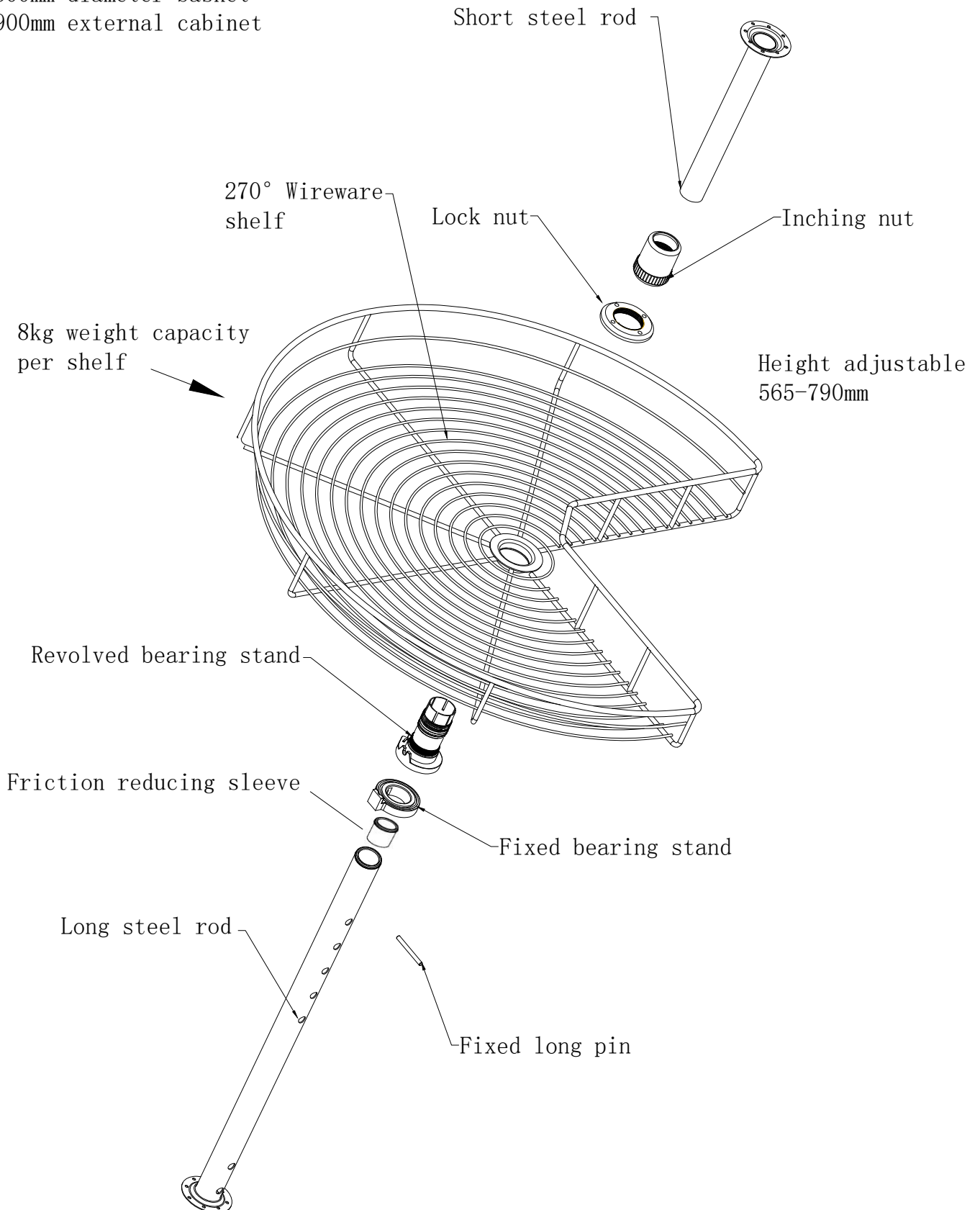


Krome Economy 270° Lazy Suzan Assembly Instructions

Krome 270° Lazy Suzan - 152161

800mm diameter basket

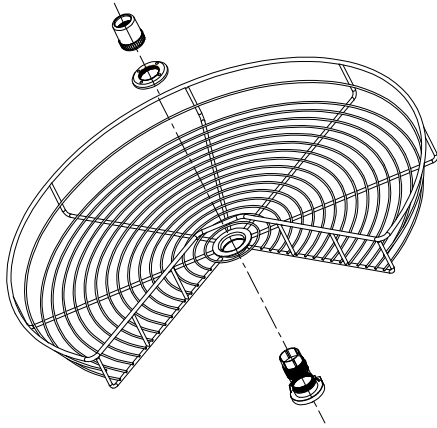
900mm external cabinet



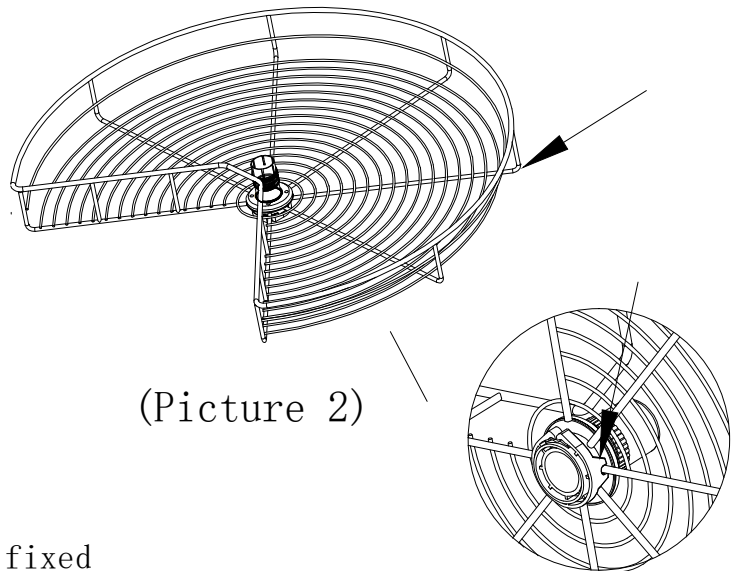
Krome Economy 270° Lazy Suzan Assembly Instructions

1. Fit in according to the sequence of picture one, and using the 2 prong spanner tighten the revolving basket and clamp into place.

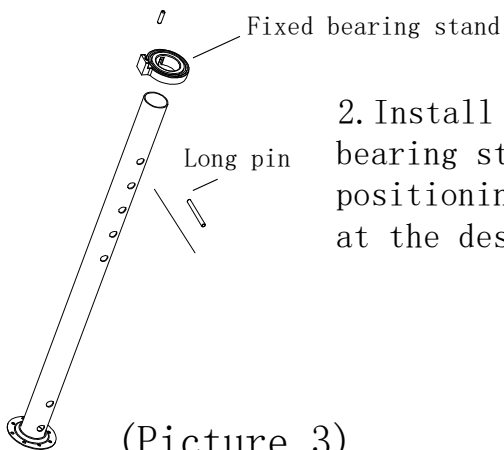
Note: Fixed steel wire support clamps into position on the revolving bearing as indicated below.



(Picture 1)

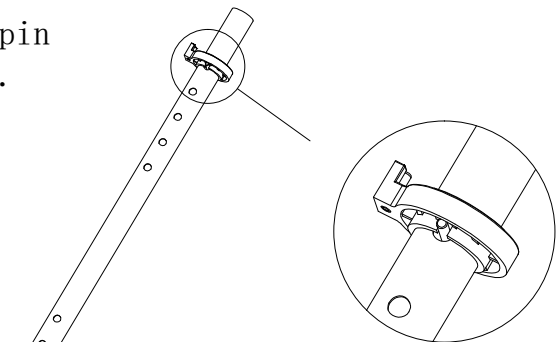


(Picture 2)

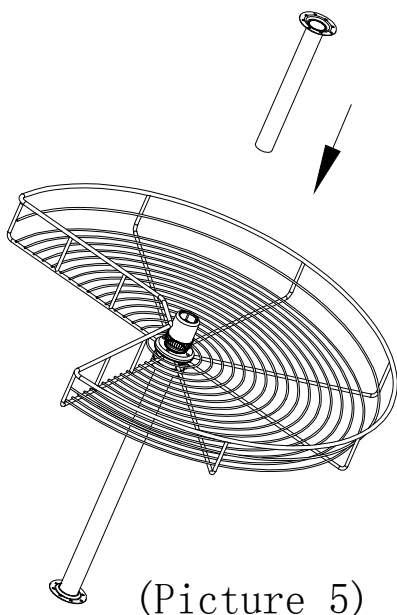


(Picture 3)

2. Install the fixed bearing stand by positioning the long pin at the desired height.

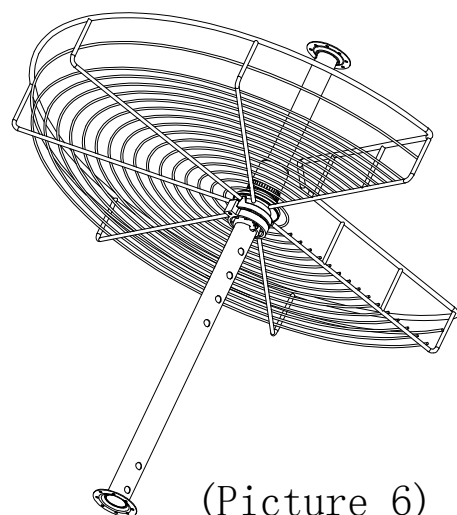


(Picture 4)



(Picture 5)

3. Slide wire-ware shelf down the long steel tube and locate into position on the revolving bearing stand (Picture 4). Proceed to insert short steel tube and lock in to position by tightening the inching nut.



(Picture 6)