

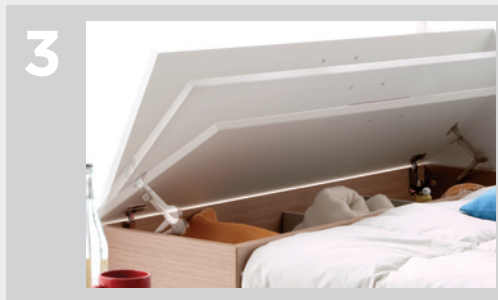
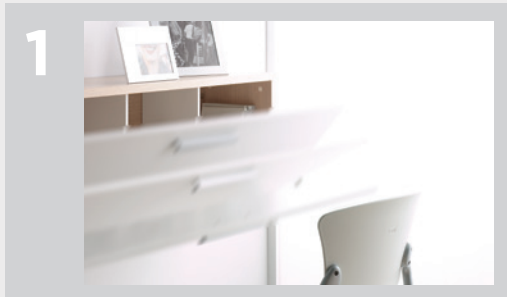
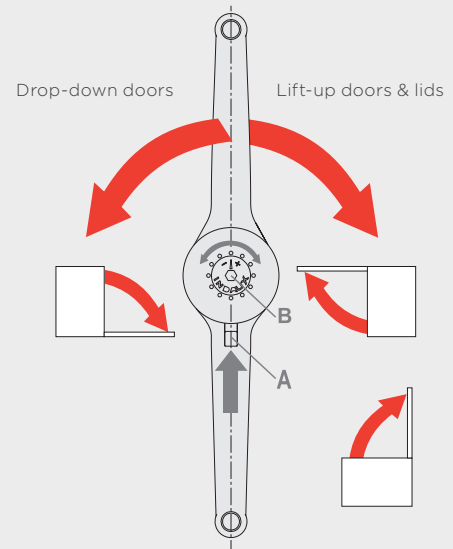


INDAUX TECHNICAL INSTALLATION GUIDE

Configurations

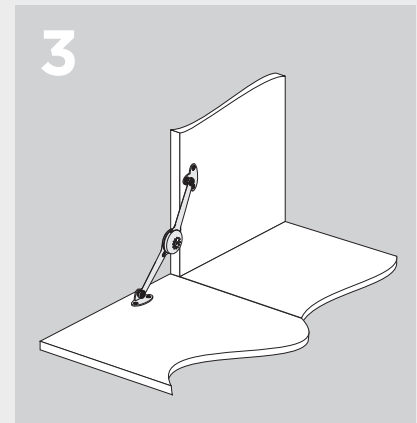
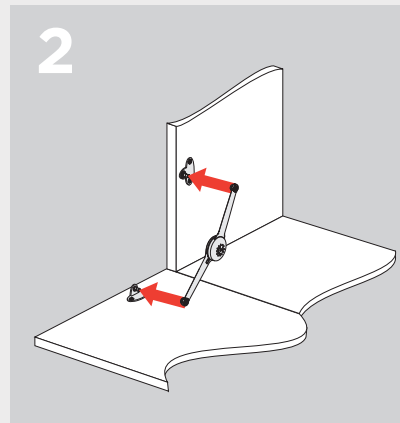
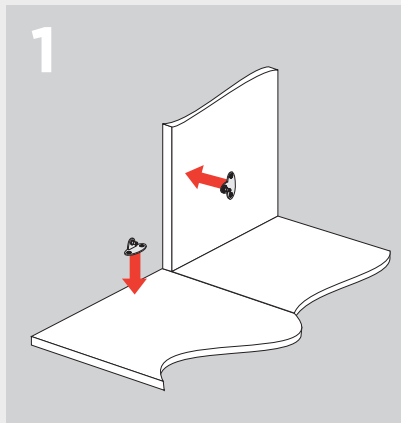
Depending on the force adjustment, a variety of positions can be achieved with a 4mm allen screw (B), from simply braking the door when dropping to the intermediate positioning of the door.

Simply pressing the actuator (A) permits the upper arm to be passed to one side or the other, changing the braking action from braking when closing to braking when opening. In this way the functioning for lift-up doors and lids is changed to functioning for drop-down doors.



ASSEMBLY

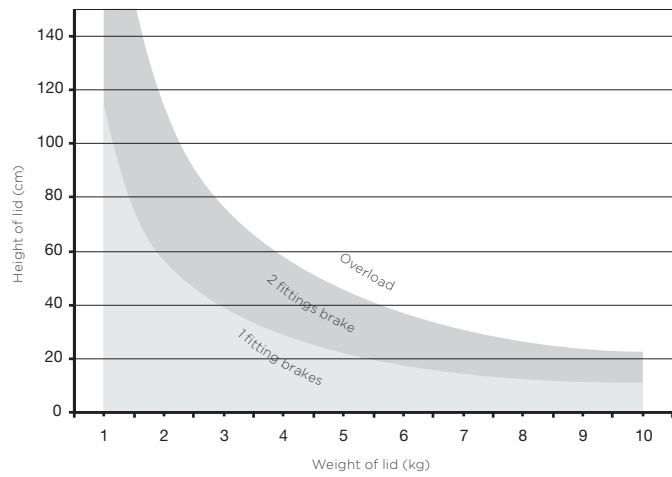
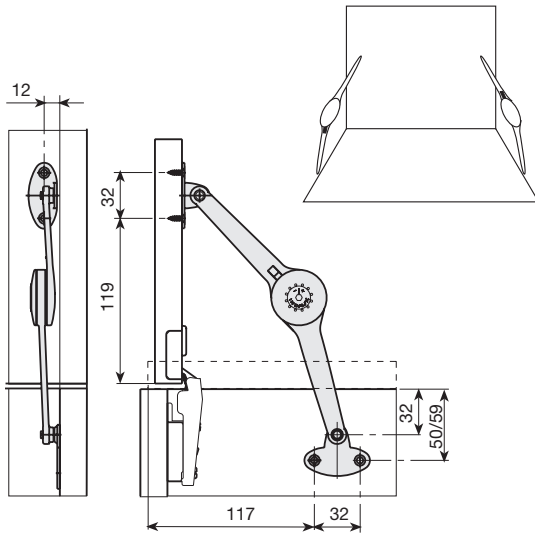
The fitting is very easy to assemble. When the brackets have been screwed in place independently, the fitting can be fitted into them manually, and it can therefore be supplied separately.



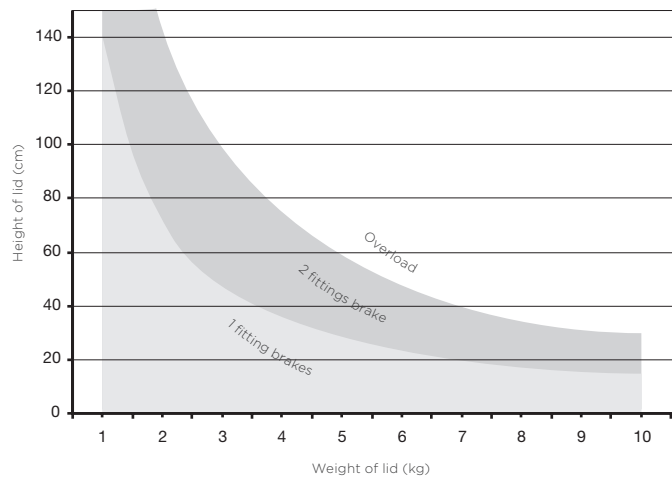
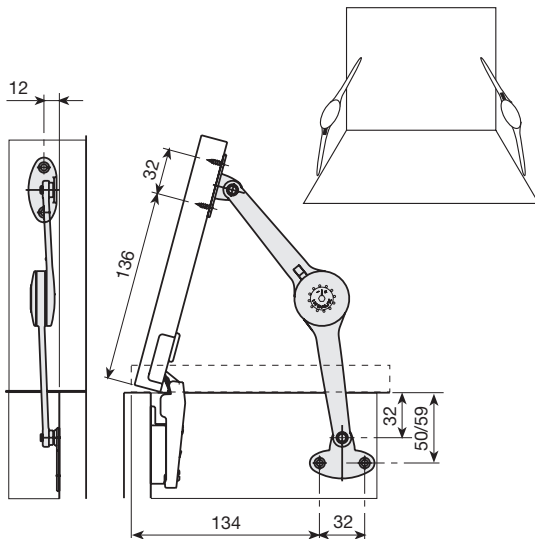
DELTA MULTI-PURPOSE FITTINGS

Technical Information

TECHNICAL INFORMATION - LIFTABLE TO 90° LID

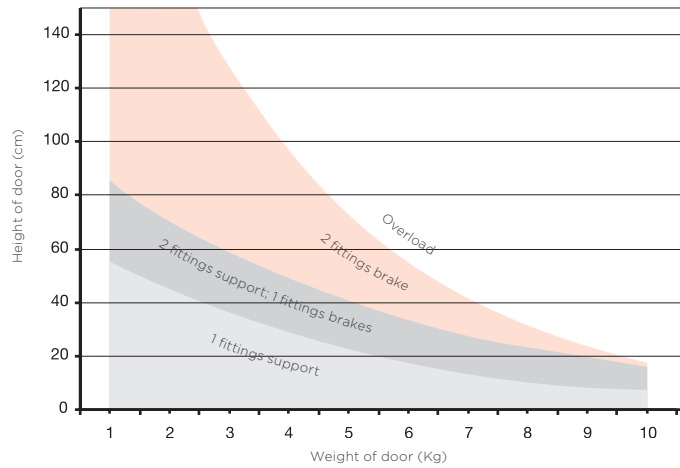
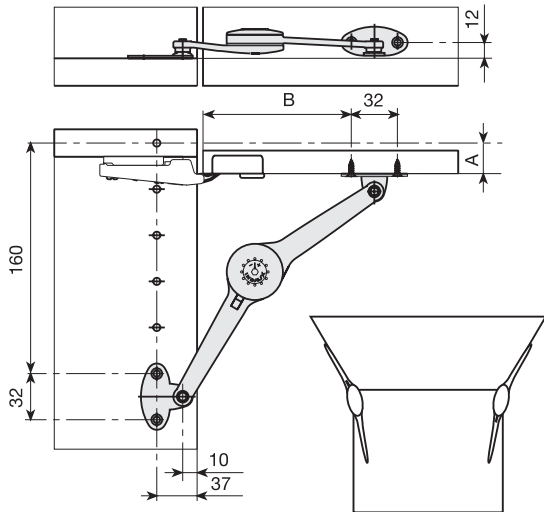


TECHNICAL INFORMATION - LIFTABLE TO 75° LID



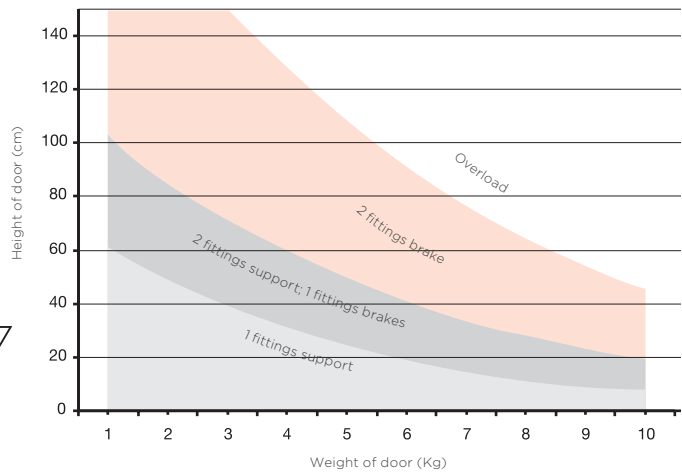
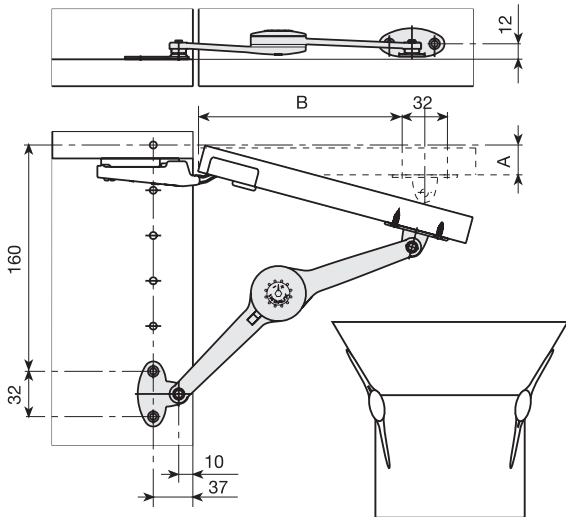
INDAUX TECHNICAL INSTALLATION GUIDE

TECHNICAL INFORMATION - LIFTABLE TO 90° DOOR



A	8	9	10	11	12	13	14	15	16	17	18	19	20	21	22	23	24	25
B	90	91	92	93	95	96	97	98	99	100	101	102	103	103	104	105	105	105

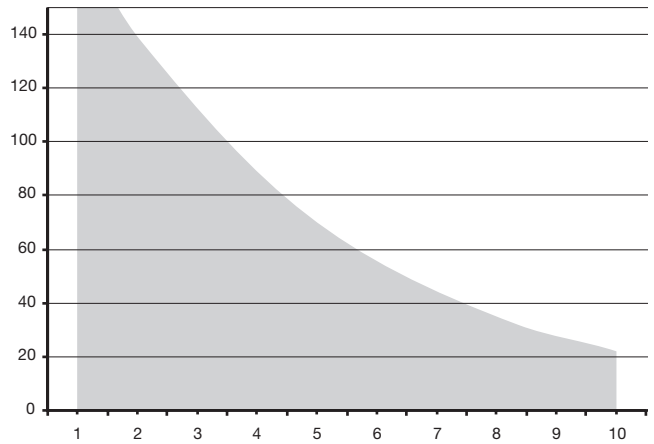
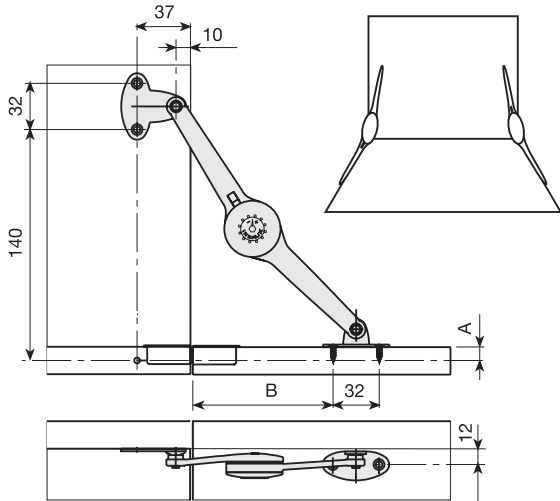
TECHNICAL INFORMATION - LIFTABLE TO 75° DOOR



A	8	9	10	11	12	13	14	15	16	17	18	19	20	21	22	23	24	25
B	132	133	134	135	137	138	139	140	141	142	143	143	144	144	145	146	146	147

Technical Information

TECHNICAL INFORMATION - DROP DOWN DOOR



A	8	9	10	11	12	13	14	15	16	17	18	19	20	21	22	23	24	25
B	98	99	100	101	103	104	105	106	107	108	109	110	111	111	112	113	113	114



NOVER & CO PTY LIMITED

ABN 15 001 706 038

P 1300 668 371 **E** info@nover.com.au **W** www.nover.com.au