

Platinum.TM

User Manual

600 Ceramic Cooktop Touch

AUPL-CT62

IMPORTANT

Please ensure that you read through this manual prior to installation and use. This user manual contains important information to ensure optimal performance and keep you safe. Please retain your proof of purchase, as this will be needed in the event that you require a warranty service. Remember to keep this user manual for future reference.

Contents

Contents	
Warning & Safety Instructions	3
Product Overview	5
Electrical Connection	6
Installation	7
Operating Instructions	9
Maintenance	11
Your Cookware	12
Product Specifications	13
Contact Details	Back Cover

Warning & Safety Information

CAUTION: Your safety is important to us. Please read this information before using your cooktop.

INSTALLATION

ELECTRIC SHOCK HAZARD

- Disconnect the appliance from the mains electricity supply before carrying out any work or maintenance on it.
- Connection to a good earth wiring system is essential and mandatory.
- Alterations to the domestic wiring system must only be made by a qualified electrician.
- Failure to follow this advice may result in electrical shock or death.

CUT HAZARD

- Take care, panel edges are sharp.
- Failure to use caution could result in injury or cuts.

IMPORTANT SAFETY INSTRUCTIONS

- Read these instructions carefully before installing or using this appliance.
- No combustible material or products should be placed on this appliance at any time.
- Please make this information available to the person responsible for installing the appliance as it could reduce your installation costs.
- In order to avoid hazard, this appliance must be installed according to these instructions for installation.

- This appliance is to be properly installed and earthed only by a suitably qualified person.
- This appliance should be connected to a circuit which incorporates an isolating switch providing full disconnection from the power supply.
- Failure to install the appliance correctly could invalidate any warranty or liability claims.

OPERATION AND MAINTENANCE

ELECTRICAL SHOCK HAZARD

WARNING: If the surface is cracked, switch off the appliance to avoid the possibility of electric shock.

- Switch the cooktop off at the wall before cleaning or maintenance.
- Failure to follow this advice may result in electrical shock or death.

HEALTH HAZARD

- This appliance complies with electromagnetic safety standards. However, persons with cardiac pacemakers or other electrical implants (such as insulin pumps) must consult with their doctor or implant manufacturer before using this appliance to make sure that their implants will not be affected by the electromagnetic field. Failure to follow this advice may result in death.

Warning & Safety Information

HOT SURFACE HAZARD

- Do not let your body, clothing or any item other than suitable cookware contact the ceramic glass until the surface is cool. Never leave metal objects (such as kitchen utensils) or empty pans on the cooktop as they can become hot very quickly.
WARNING: Magnetisable metal object worn on the body may become hot in the vicinity of the cooktop. Gold or silver jewellery will not be affected.
WARNING: Accessible parts may become hot during use. To avoid burns young children should be kept away.
- Handles of saucepans may be hot to touch. Check saucepan handles do not overhang other cooking zones that are on. Keep handles out of reach of children.
- Failure to follow this advice could result in burns and scalds.

CUT HAZARD

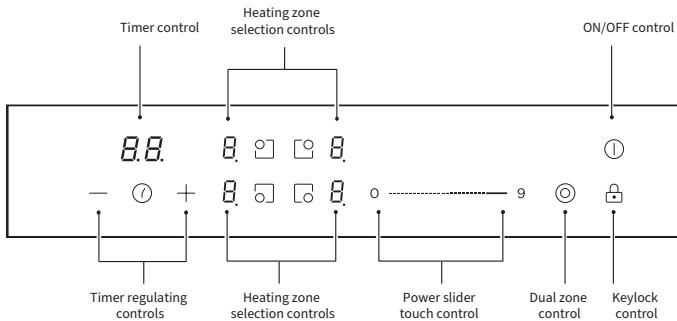
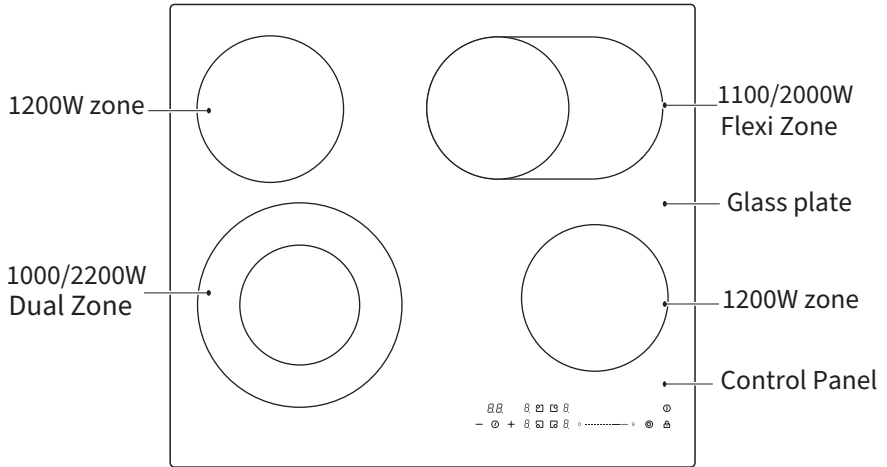
- The razor-sharp blade of a cooktop scraper is exposed when the safety cover is retracted.
- Use with extreme care and always store safely and out of reach of children.
- Failure to use caution could result in injury or cuts.

IMPORTANT SAFETY INSTRUCTIONS

- Never leave the appliance unattended when in use. Boil over causes smoking and greasy spillovers that may ignite.
- Do not place or leave any magnetisable objects (e.g. credit cards, memory cards) or electronic devices (e.g. computers, MP3 players) near the appliance, as they may be affected by its electromagnetic field.
- Never use your appliance as a work or storage surface.
- Never leave any objects or utensils on the appliance.
- Never use your appliance for warming or heating the room.

- After use, always turn off the cooking zones and the cooktop as described in this manual (i.e. by using the touch controls). Do not rely on the pan detection feature to turn off the cooking zones when you remove the pans.
- Do not allow children to play with the appliance or sit, stand, or climb on it.
- Do not store items of interest to children in cabinets above the appliance. Children climbing on the cooktop could be seriously injured.
WARNING: This appliance is not intended for use by persons (including children) with reduced physical, sensory or mental capabilities, or lack of experience and knowledge, unless they have been given supervision or instruction concerning use of the appliance by a person responsible for their safety.
WARNING: Children should be supervised to ensure that they do not play with the appliance.
- Do not repair or replace any part of the appliance unless specifically recommended in the manual. All other servicing should be done by a qualified technician.
- Do not use a steam cleaner to clean your cooktop.
- Do not place or drop heavy objects on your cooktop.
- Do not stand on your cooktop.
- Do not use pans with jagged edges or drag pans across the ceramic glass surface as this can scratch the glass.
- Do not use scourers or any other harsh abrasive cleaning agents to clean your cooktop, as these can scratch the ceramic glass. If the supply cord is damaged, it must be replaced by the manufacturer or its service agent or a similarly qualified person in order to avoid a hazard.
- Do not operate your cooktop by means of an external timer or separate remote ≠ control system.
- This appliance is intended to be used in domestic households only.

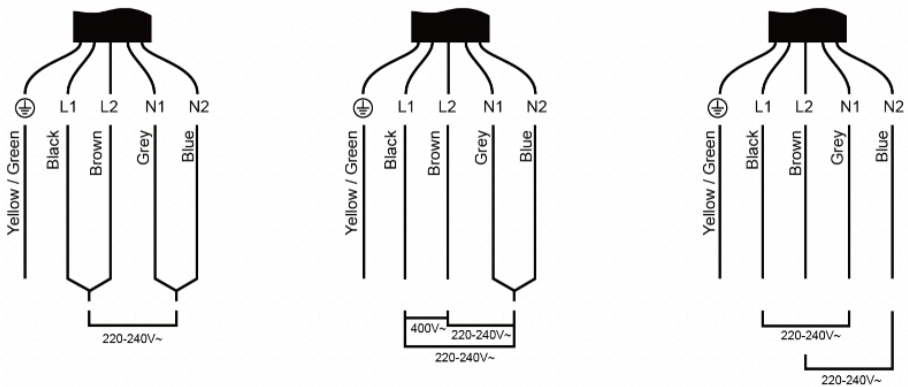
Product Overview



Electrical Connection

CONNECTING THE HOB TO THE MAINS POWER SUPPLY

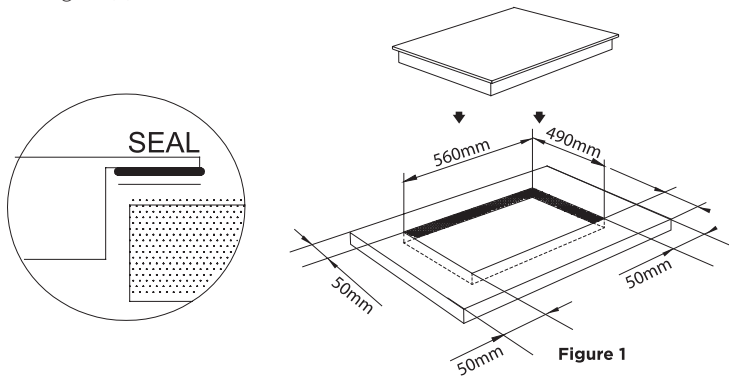
IMPORTANT: The power supply should be connected in compliance with the relevant standard, or a single-pole circuit breaker. The method of connection is shown below:



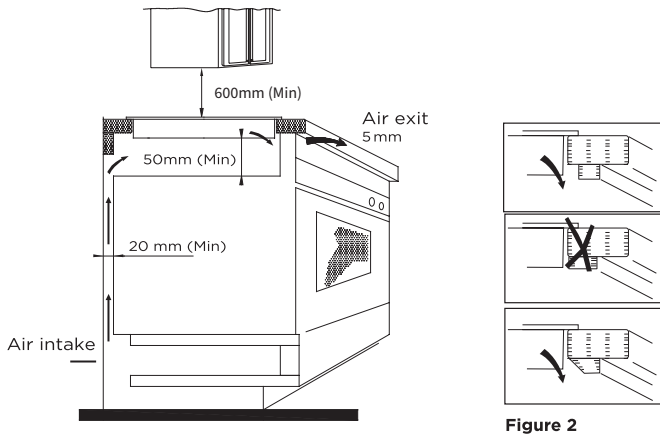
1. If the cable is damaged or needs replacing, this should be done by an after-sales technician using the proper tools, so as to avoid any accidents.
2. If the appliance is being connected directly to the mains supply, an omnipolar circuit breaker must be installed with a minimum gap of 3mm between the contacts.
3. The installer must ensure that the correct electrical connection has been made and that it complies with safety regulations.
4. The cable must not be bent or compressed.
5. The cable must be checked regularly and only replaced by a properly qualified electrician..

Installation

For the purpose of installation and use, a minimum 5 mm space shall be preserved around the hole. Be sure the thickness of the table surface is at least 30mm. Ensure that the benchtop material is heat-resistant to avoid deformation caused by the heat radiation from the hotplate. As shown in Figure (1)

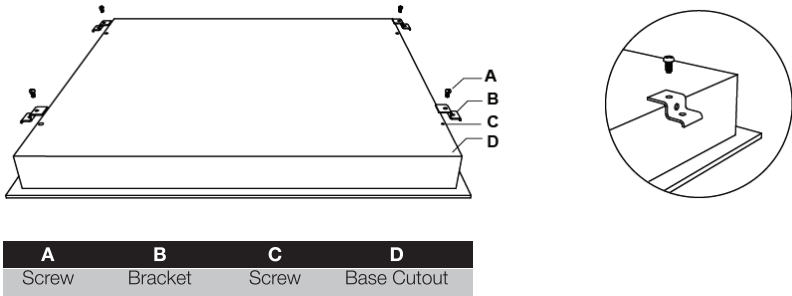


Under any circumstances, make sure the ceramic cooker hob is well ventilated and the air inlet and outlet are not blocked. Ensure the ceramic cooker hob is in a good working state. As shown in Figure (2)

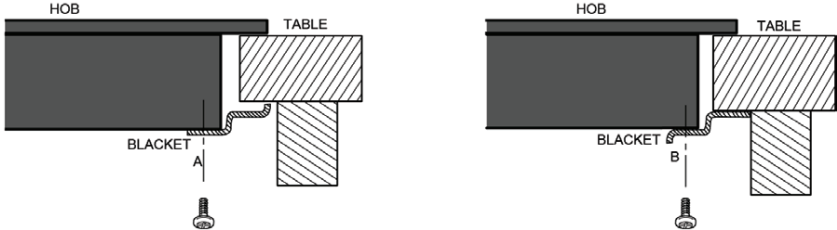


NOTICE: The safety distance between the ceramic hob and the cupboard or rangehood above the hotplate should be at least 600mm.

Installation



NOTICE: Adjust the bracket position to suit for different work surface's thickness.



CAUTION:

- The ceramic cooker hob must be installed by qualified personnel or technicians. Please never conduct the operation by yourself.
- The ceramic cooker hob shall not be mounted to cooling equipment, dishwashers and rotary dryers.
- The wall and induced heating zone above the work surface shall withstand heat.
- To avoid any damage, the sandwich layer and adhesive must be resistant to heat.
- A steam cleaner is not to be used.

Operating Instructions

Timer Control

The timer can be used as a minute reminder or as countdown timer to turn off a particular heating zone.

Minute timer

NOTICE: The cooking zones will **not** turn off after elapsed time in this setting.

To set a minute timer, touch the timer control. The timer indicator will show "--", then adjust length of time by touching "+" or "-" on the timer menu. Touch and hold (+/-) to move in 10min increments. When the time is set, the timer indicator will stop flashing after 5 seconds and countdown will start. Buzzer will sound for 30 seconds and the timer indicator will show "--" when the time has elapsed.

Cooking zone countdown timer

NOTICE: The selected cooking zone/s **will** turn off after elapsed time in this setting.




To set a CZCT, touch the heating zone on the control panel you wish to set up. The timer control will show "10" indicating 10 minutes. Adjust the length of time by touching "+" or "-" on the timer menu. Touch and hold to move in 10min increments.

You can set up multiple CZCTs, the timer display will indicate the timer with the least amount of time remaining, and a red dot will flash next to the zone indicator of the affected zone. Once the timer has elapsed, the affected cooking zone will switch off.

NOTICE : To cancel any timer, touch "+" and "-" of timer simultaneously. The timer is cancelled automatically and the timer indicator shows "--".

Child Lock Function



To activate the child lock function, touch the  function. The hob then goes into lock mode, and the timer will show "Lo" and the rest of the s are disabled except the ON/OFF keys. To de-activate the child lock function, touch  for several seconds and the hob will return to normal working mode.

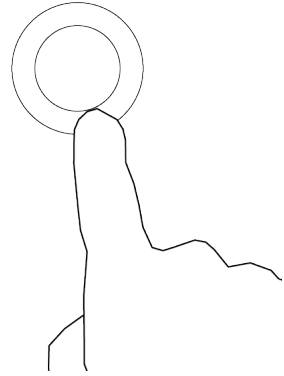
Operating Instructions

Dual/Flexi Zone Control

The front left (dual zone) and rear right (flexi zone) cooking zones have the ability to be used as a larger cooking surface.

To activate:

- Select the zone you would like to apply the larger cooking zone to and set it to your desired heat setting.
- Touch the dual zone control on the control panel
- The dual/flexi zone is now active and the power indicator will cycle through power level (e.x. 6) and “=”.
- To deactivate simply press the dual zone control again.
- The power indicator level will stop showing “=” to indicate the dual/flexi zone is off.



Safety Features

High temperature protection - The temperature sensor mounted on the heating element monitors the temperature inside the cooker from time to time. When an excessive temperature is detected the heating element will stop the power output.

Residual heat warning - When the hob has been operating for some time, there will be some residual heat. The letter “H” appears to warn you that the surface is still hot.

Auto shutdown - A safety feature of the hob is auto shutdown. This occurs whenever you forget to switch off a cooking zone. The default shutdown times are shown in the table below:

Power level	1	2	3	4	5	6	7	8	9
Default working timer(hour)	8	8	8	4	4	4	2	2	2

Maintenance

Type of Contamination	Method of Cleaning	Optional Cleaning Product
Light	Clean with hot water and a damp sponge	
Accumulation of dirt	Clean with hot soapy water	Non abrasive scourer
Rings & Lime Residual	Apply white vinegar to the polluted area, then wipe with a dry soft cloth	Ceramic cooktop cleaner
Melted Aluminum or Plastics	Use a glass scraper, carefully to ensure that surface is not scratched	Ceramic cooktop cleaner

Hint: *Please disconnect power before the cleaning.*

For any failure of the product, please contact the special maintenance department or the customer service center.

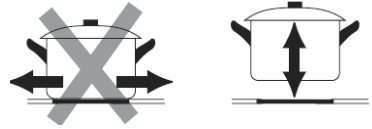
Your Cookware

CHOOSING THE RIGHT COOKWARE

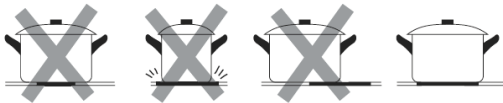
Do not use cookware with jagged edges or a curved base.



Always lift pans off the ceramic hob - do not slide, or they may scratch the glass.



Make sure that the base of your pan is smooth, sits flat against the glass, and is the same size as the cooking zone. Always centre your pan on the cooking zone.



Product Specifications


Product Model	AUPL-CT62
Cooking Zones	4 (1 dual, 1 flexi)
Supply Voltage	220-240V
Rated Frequency	50/60Hz
Installed Electric Power	6000-7200W
Product Size LxWxH (mm)	590x520x51
Built-in Dimensions LxW (mm)	560x490


Platinum.™


CONTACT DETAILS

Australia

Platinum Appliances

 PO Box 7785
Norwest
2153

 1300 985 815

 customercare@platinumappliances.com.au

 platinumappliances.com.au

Platinum is committed to ongoing research and development. Every effort has been made to ensure all information in this user manual is correct at time of going to print. Dimensions should only be used as reference only and actual dimensions should be taken from the physical product only.

Manufacturers reserves the right to change specifications without notice.

Version 1.1

| platinumappliances.com.au