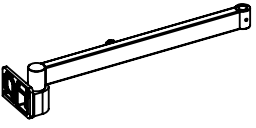
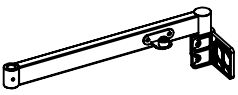
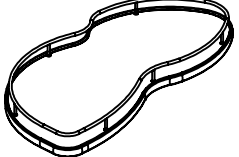
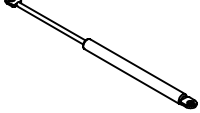


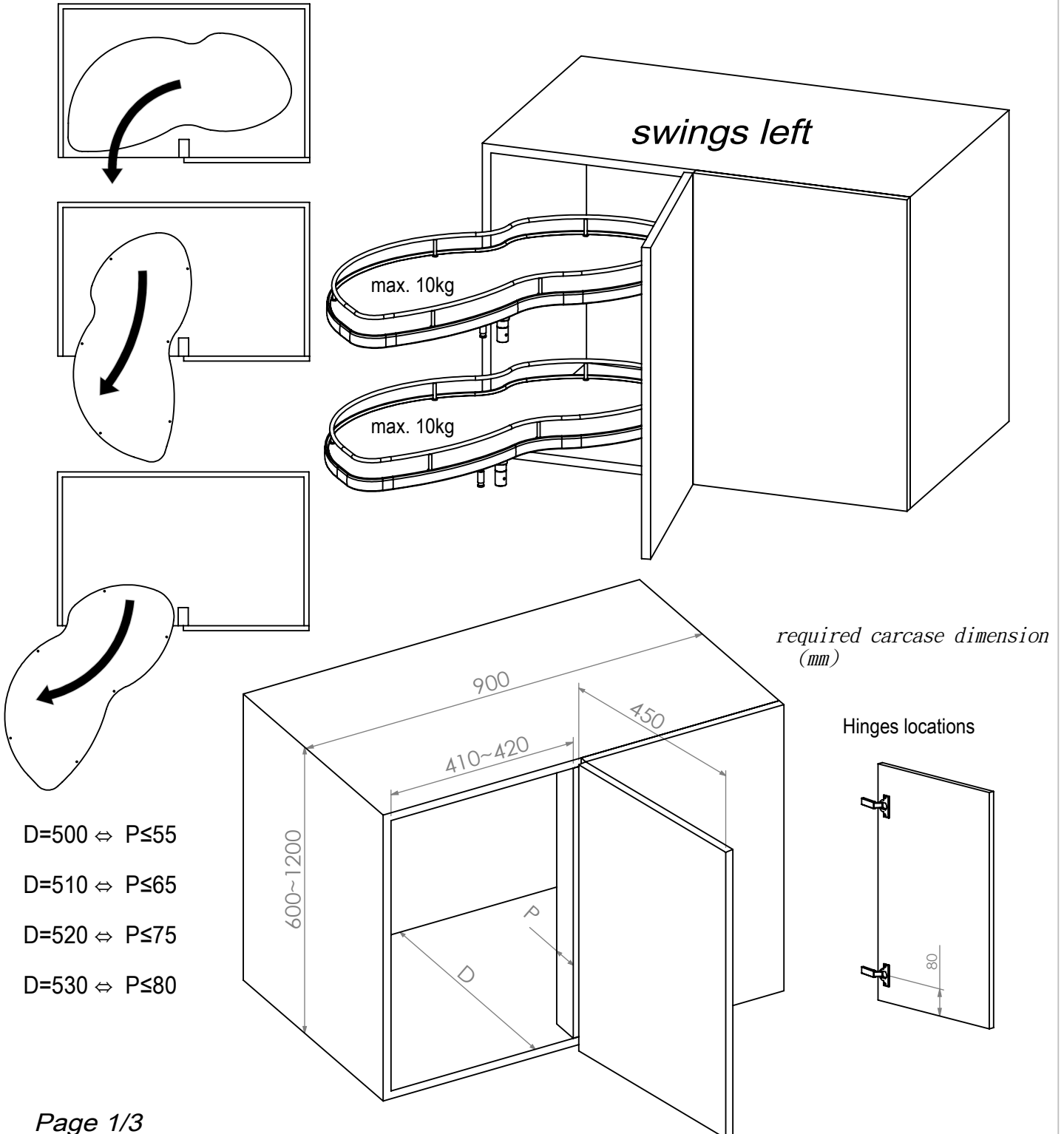


# INSTALL INSTRUCTION for 950010



## contents

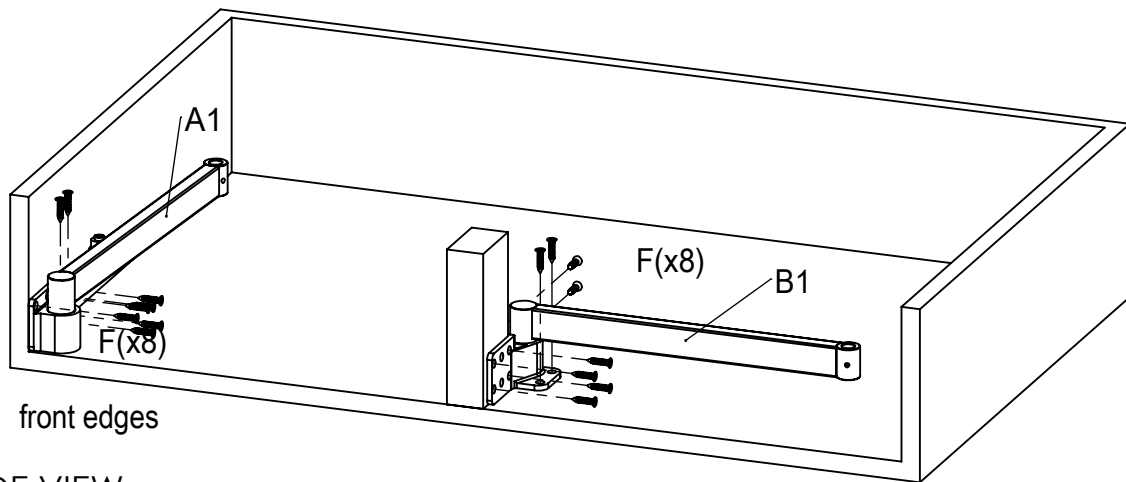
A	B	C	D	E	F
external swivel arm	internal swivel arm	shelf	gas piston	M5*6 flat screw	screw
					
2 pcs	2 pcs	2 pcs	2 pcs	4 pcs	30 pcs



# INSTALL INSTRUCTION for 950010

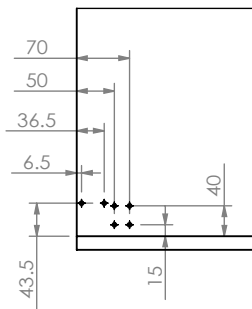


step 1: install the Internal Swing Arm (B1) and External Swing Arm (A1) on bottom board with Screw (F).  
Align the External Swing Arm (A1) with cabinet's front edges.



front edges

SIDE VIEW



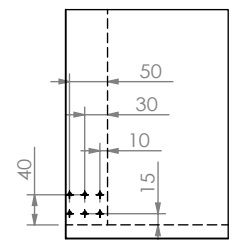
for Arm (A1)

TOP VIEW



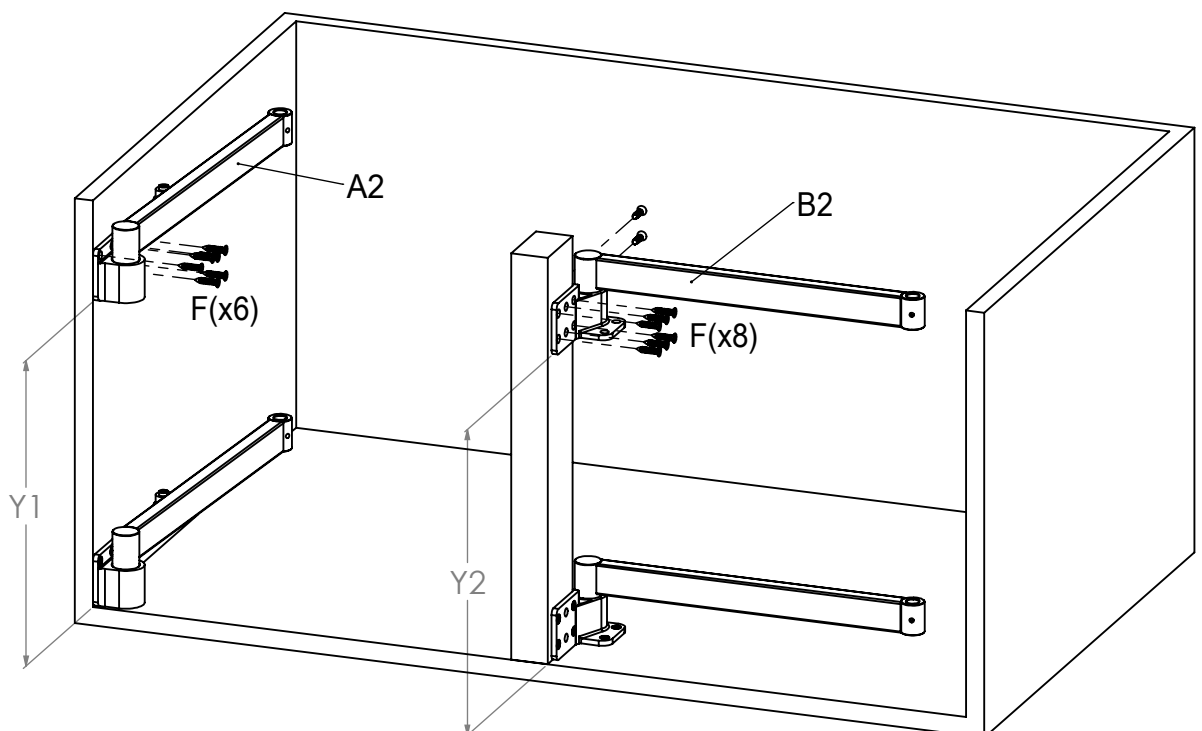
for Arm (A1)

SIDE VIEW

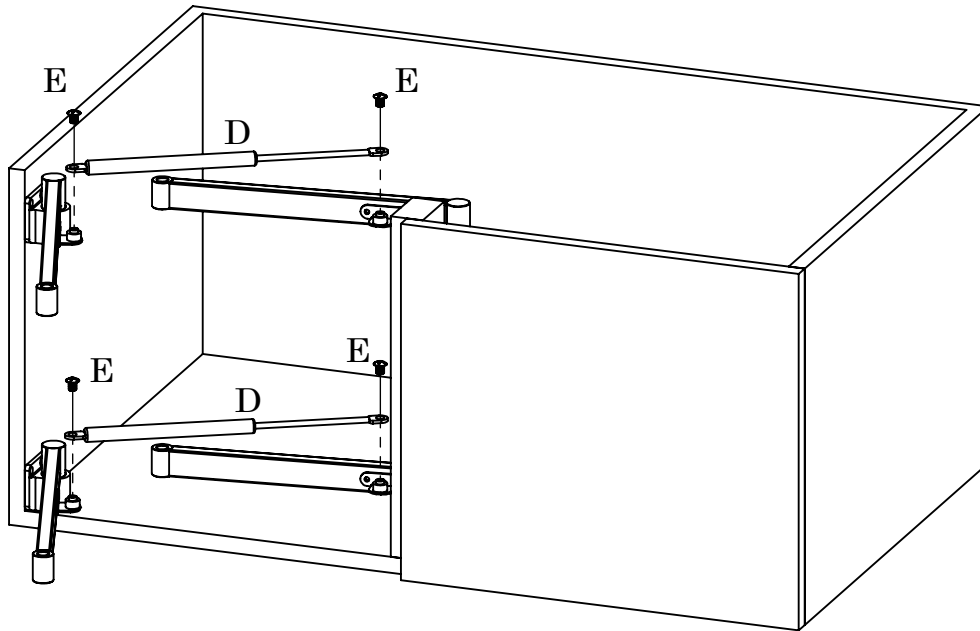


for Arm (B1)

step 2: install Internal Swing Arm (B2) and External Swing Arm (A2) with Screw (F). Align External Swing Arm (A2) with side board edges.



step 3: install Gas Piston (D) with Screw (E); note its direction, refer to drawing



- step 4:
- insert Shelves (C) into the Swing Arm, refer to drawing (1) and (2)
  - must tighten screw for avoiding shelves being loose, refer to drawing (3)
  - installation is finished

