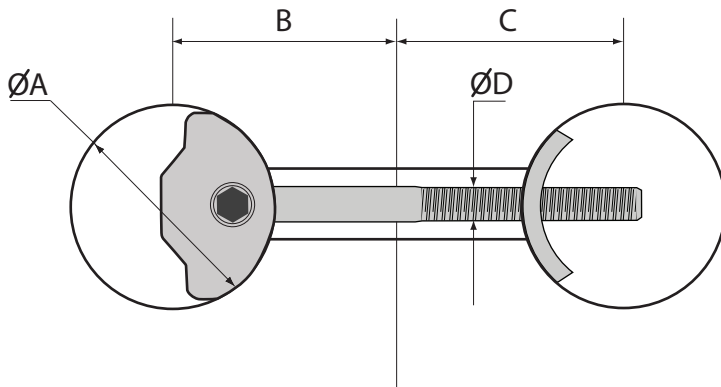
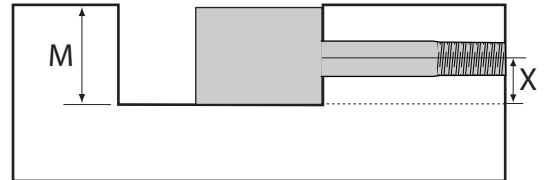


SPECIFICATION



SHAFT CENTRE CALCULATION



M= Minimum Bore Depth 20mm (51/64 inches)
 X = Shaft Centre 10mm (25/64 inches)

Measurements

	Millimetres	Inches
A	35	1 ³ / ₈
B	33-44	1 ¹⁹ / ₆₄ - 1 ⁴⁷ / ₆₄
C	33-44	1 ¹⁹ / ₆₄ - 1 ⁴⁷ / ₆₄
D	6	1 ⁵ / ₆₄



5mm hex bit