

RAUVOLET TAMBOUR DOOR SYSTEMS

ASSEMBLY INSTRUCTIONS FOR VERTICAL APPLICATIONS OF METALLIC LINE 25
WITH C3 BALANCING MECHANISM

RAUVOLET TAMBOUR DOOR SYSTEMS

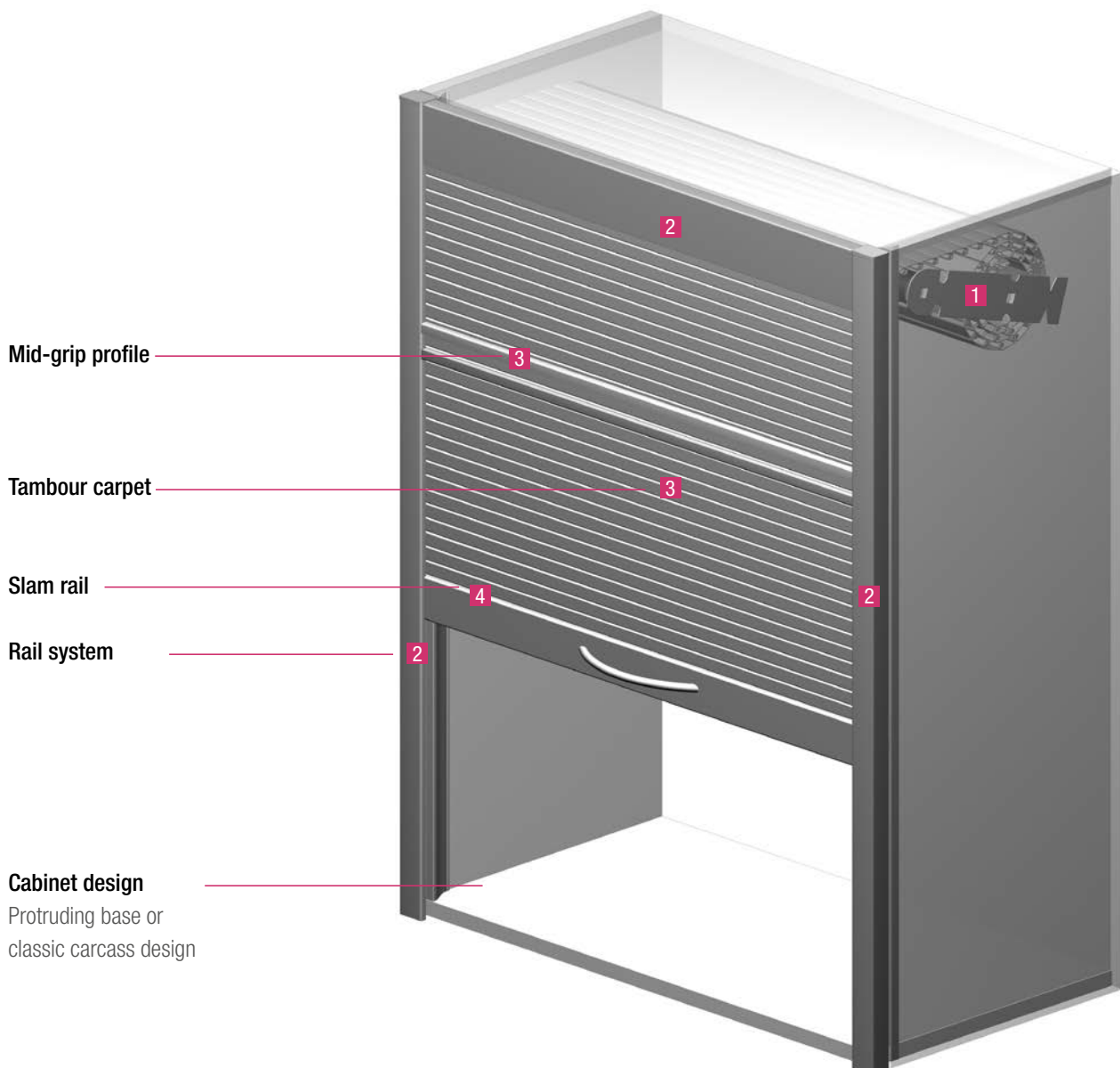
Assembly

1 C3 roller mechanism and extension

2 Rail system and pelmet
Frame rail system

3 Shutter carpet with mid grip section

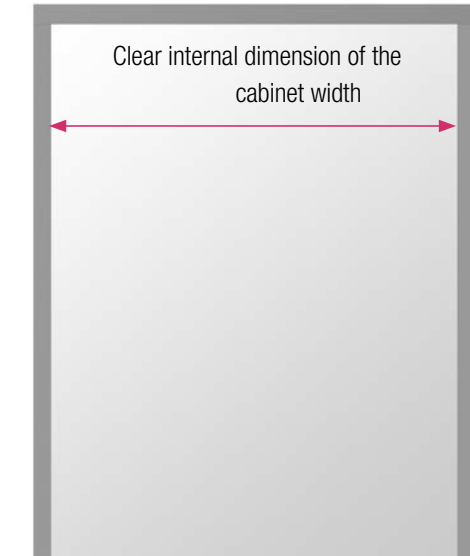
4 Slam rail
Whether classic carcass design or raised floor,
you are guaranteed to find the right solution.



1. Bar length for roller shutter profile

Plastic main holder:

Clear internal dimension of the cabinet width minus 10 mm



2. Number of roller shutter bar profiles

The number of profiles is calculated as shown in the example shown here.

**For example,
a clear internal height of 2,000 mm
+ 270 mm (fixed value)
= 2270 mm**

Tambour door profile	Cover width	2270/ Cover width =
metallic-line 25	24.5	93 profiles + adapter

Number of profiles: always round up!



If a Midgrip handle profile is used, the recommended position of the centre slam rail is the 17th bar after slam rail (we recommended 750 to 800 mm). A midgrip handle profile is only recommended for cabinets with a clear internal height of over 1,300 mm and a low installation position.

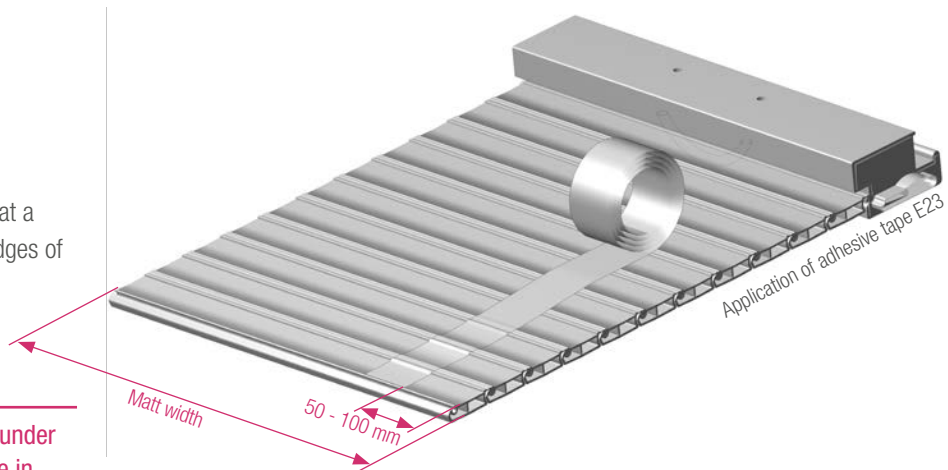
3. Roller shutter mat attachment

25 mm metallic line

Application of the adhesive tape to the rear at a distance of 50 to 100 mm from the outer edges of the roller shutter profiles.

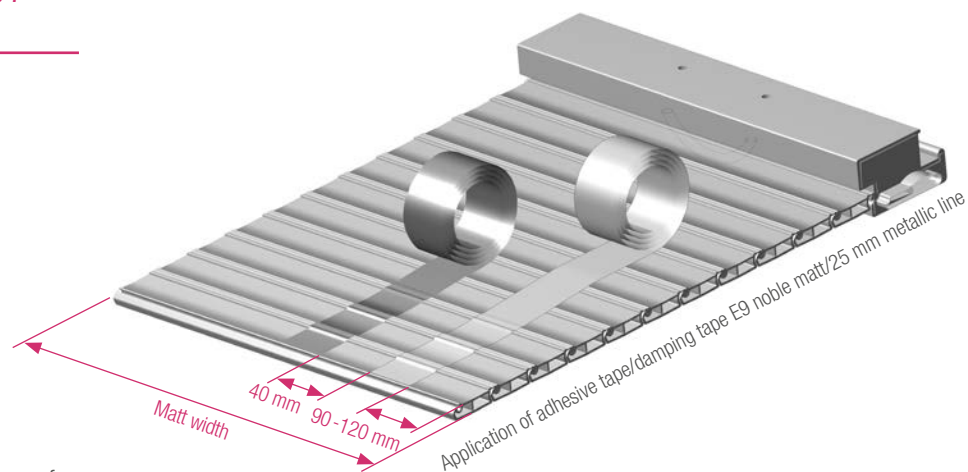


Adhesive tape/damping tape must not be under tension during application and must not be in the area of the deflection rollers (see Page 7 and Page 8).



E9 noble matt, 25 mm metallic line:
adhesive tape art. 1793039

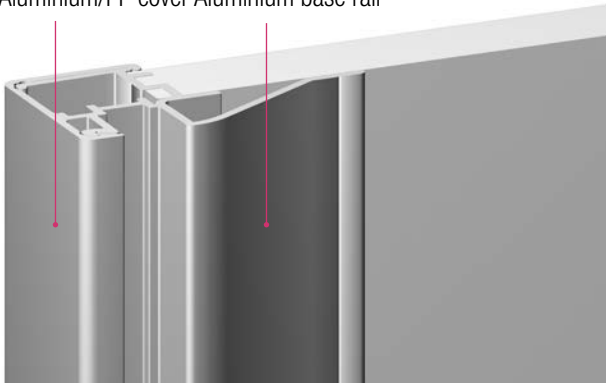
Up to 600 mm profile length: two pieces of adhesive tape (outside)
Profile length of 600 mm or more: three pieces of adhesive tape (outside and centre)



4. Cutting track, slam rail and vertical pelmet

Frame track

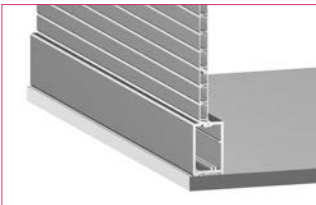
Aluminium/PP cover Aluminium base rail



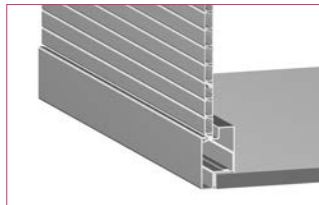
Vertical pelmet:

Length cutting: clear internal dimension of the cabinet width minus 24 mm

Installation profile: clear internal cabinet dimension minus 50 mm



Floor pulled forward/three-sided cabinet design



Classic design/four-sided cabinet design

Floor cannot be pulled forward with frame!

Slam rail:

Cutting to length:

Clear internal dimension of the cabinet width minus 28 mm.
Then insert the guides.

Track:

Cutting to length:

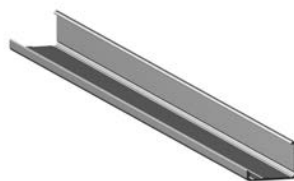
Clear internal dimension of the cabinet height minus 90 mm

Track fabrication

Cutting to length:

Clear internal dimension of the cabinet height of 90 mm

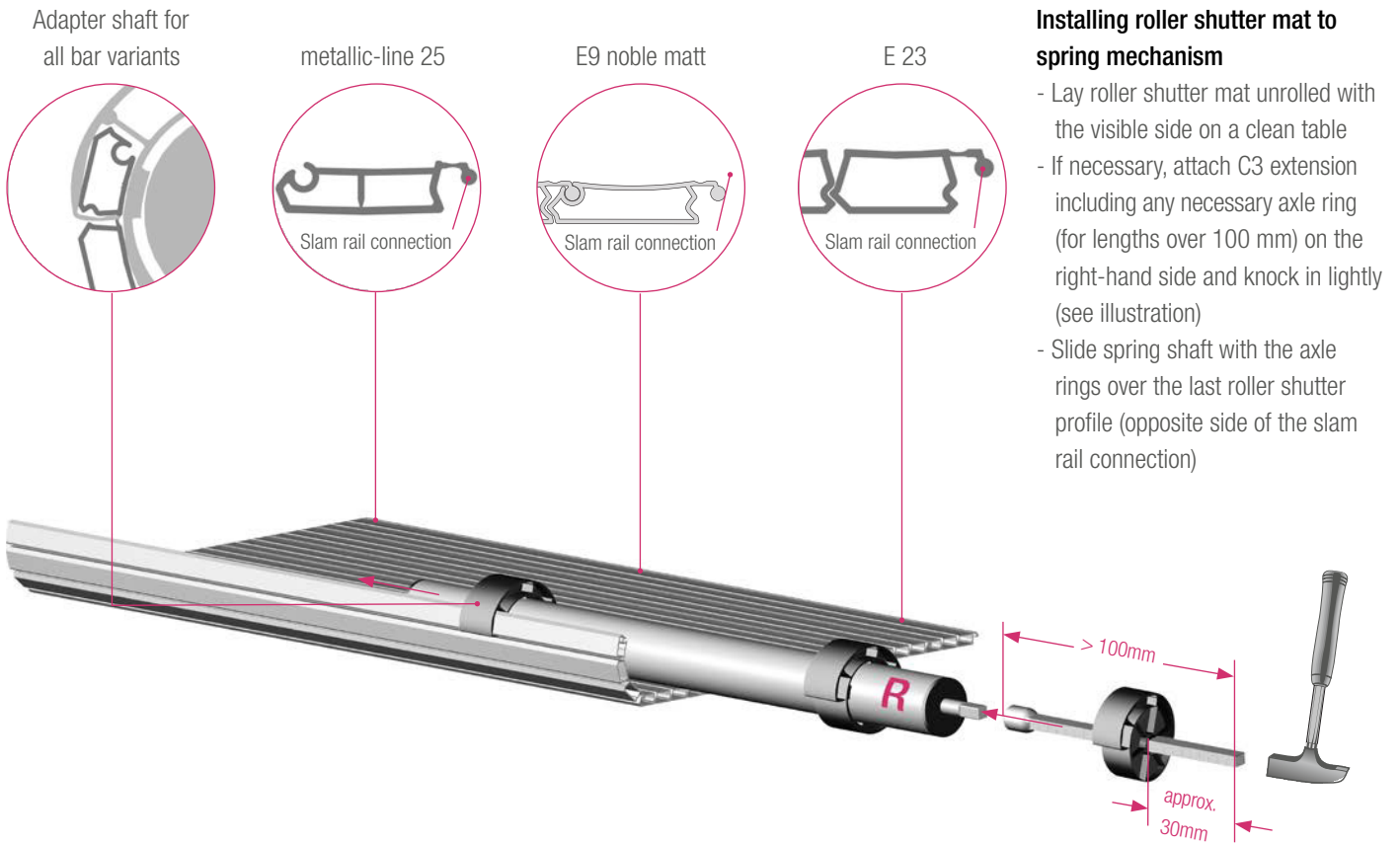
FRAME cover



Cutting to length:

Clear internal dimension of the cabinet height plus 24 mm

5. Connection of the spring shaft to roller shutter mat

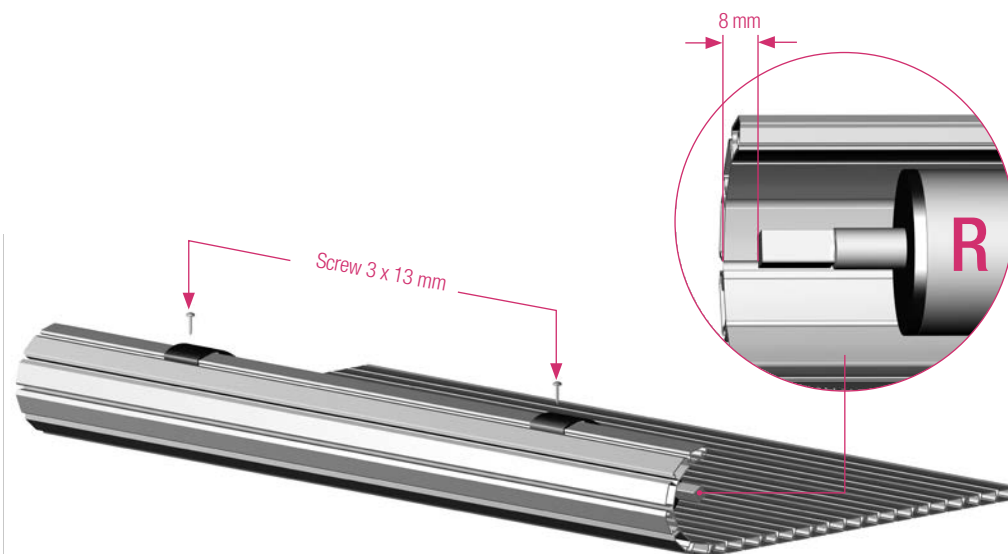


An E23 bar (included in the box) is required for connecting metallic line 25 mats.



Example: E9 noble matt

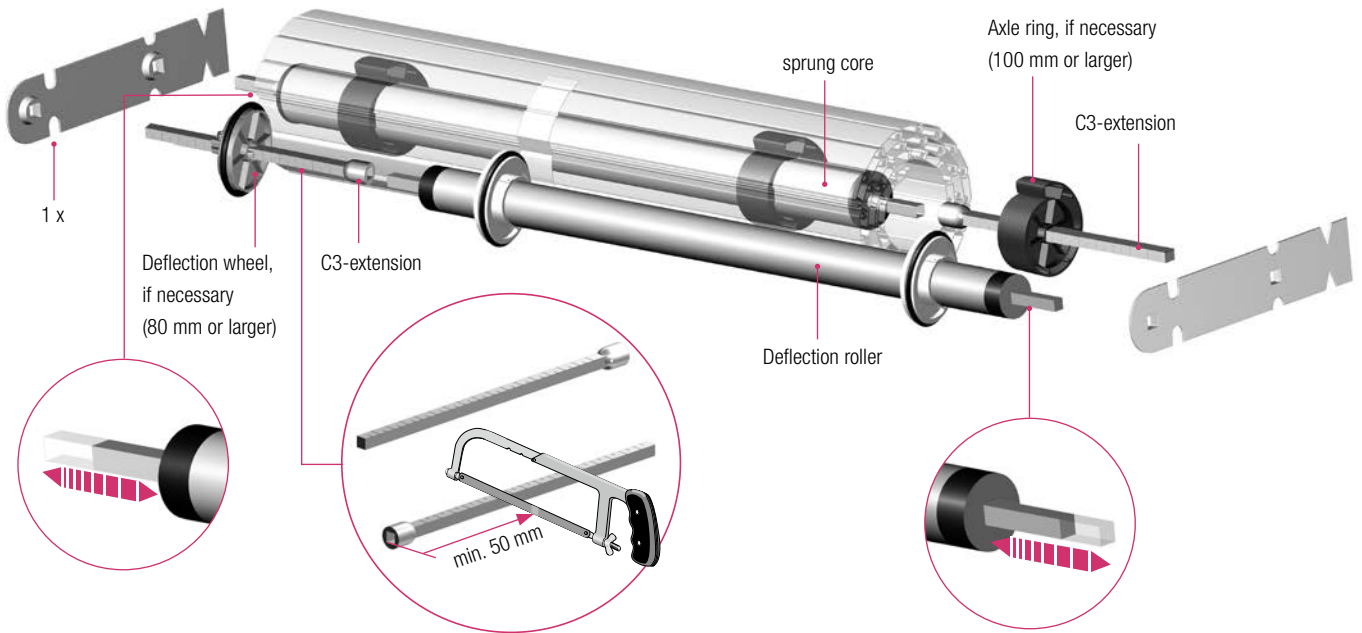
1 bar E23



Safety notice: Do not pretension roller shutter mechanism before installing it in the cabinet!

- Align spring shaft and position it so that the distance between the right-hand edge of the roller shutter mat and the rigid (right-hand) end of the spring shaft or extension is 8 mm
- Fasten roller shutter with one 3 x 13 screw per axle ring

6. C3 extension



Application of C3 extension

Internal width (mm)	350-384	385-549	550-584	585-749	750-784	785-949	950-984	985-1149	1150-1184
Height (mm)	650-1950	650-1950	650-2200	650-2200	650-2200	650-2200	650-2200	650-2200	650-2200
sprung core	400	400	600	600	800	800	1000	1000	1200
C3-extension		+ extension		+ extension		+ extension		+ extension	

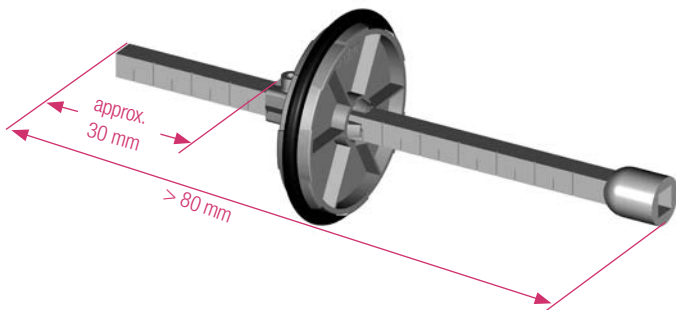
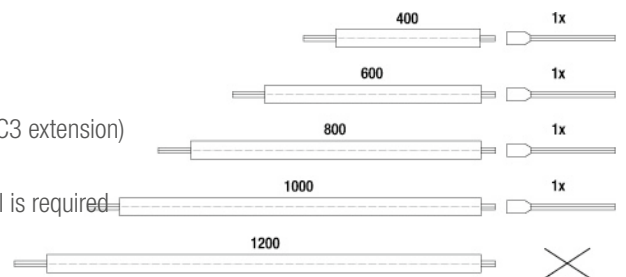
Total length of C3 extension: clear width of cabinet, spring

Example:

clear width 862 mm - 800 mm (spring shaft) + 50 mm = 112 mm (length of C3 extension)

Caution: min. dimension is 50 mm

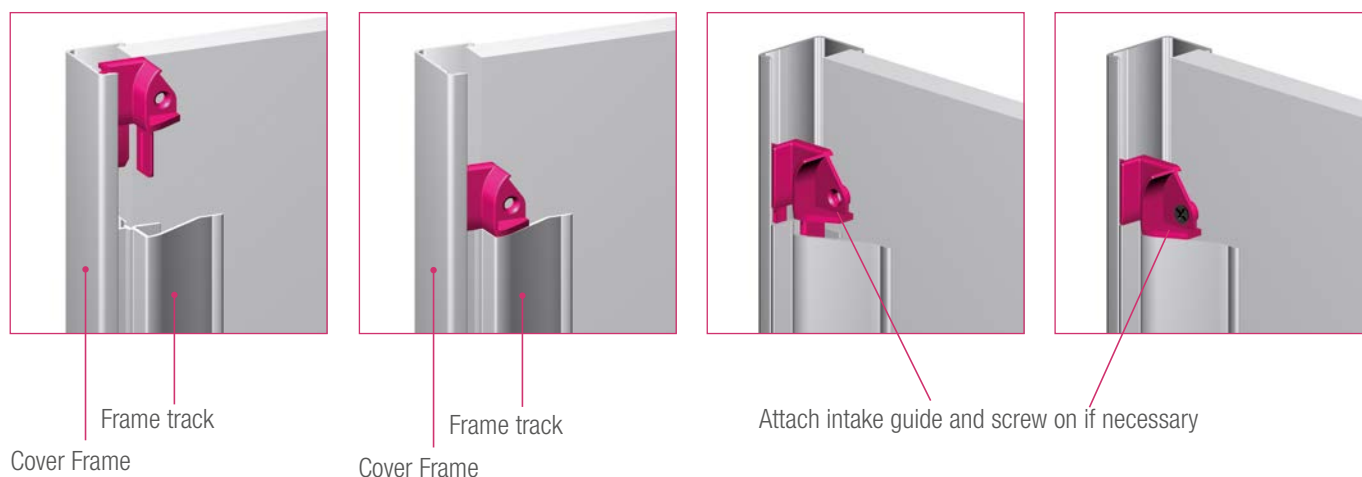
If the total length of the extension is over 80 mm, an additional deflection wheel is required in conjunction with the C3 extension (see figure below for position).



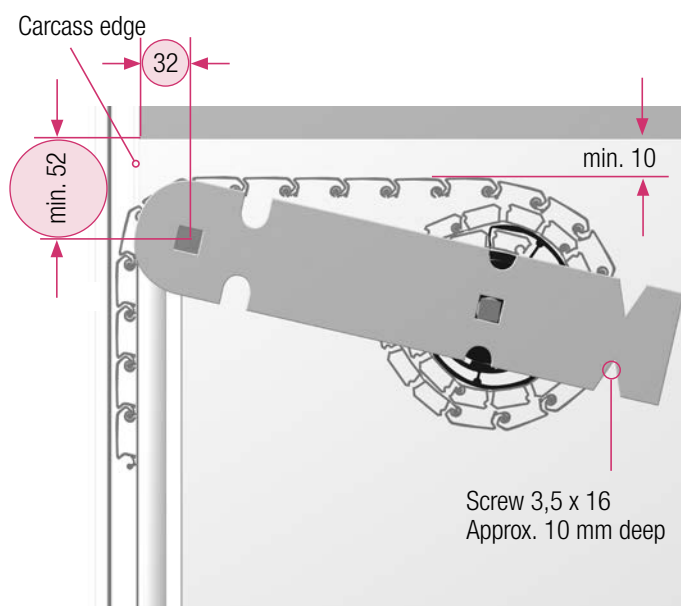
- Roll up roller shutter package around the spring shaft
- Secure outer end with an approx. 120 mm-long adhesive strip
- Place roller shutter on the table with the adhesive strip facing forwards
- Press main bracket onto the spring axle on the left and right
- Insert deflection shaft with any mounted C3 extension including any required deflection wheel between the two front mounting bearings
- The package is installation ready

7. Guide moulding

(art. 793010) for Frame track (art. 779550)



8. Cabinet preparation



With drilling template

Use the drilling template (DML00311) to mark the screw and dowel positions on the left-hand cabinet wall. In addition to the necessary positions, we recommended pre-drilling or piercing the other positions. Use the same template for the right-hand cabinet wall (printing in the direction of the cabinet wall).

Without drilling template

- Mark deflection position depending on the installation variant
- Insert a wooden dowel (20 x 8) or a screw with a head diameter of 8 mm at this location (32/52)
- The position of the rear screw depends on the roller shutter winding diameter and is adjusted so that the roller still has 10 mm of play at the top (Step 5)
- If an intermediate shelf is mounted below the roller shutter, a gap of at least 10 mm must also be maintained here

9. Installation of the roller shutter package in the cabinet



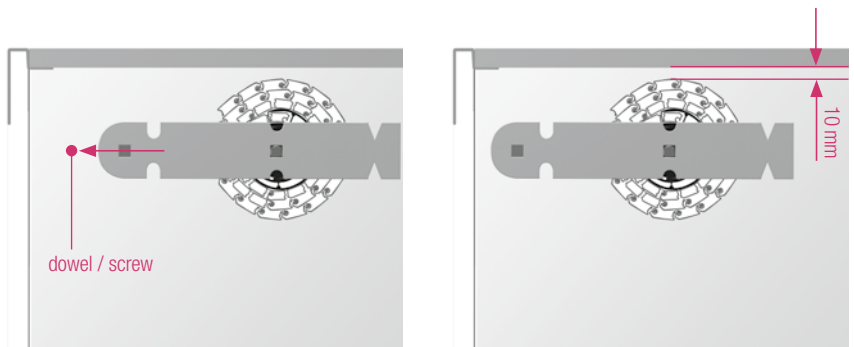
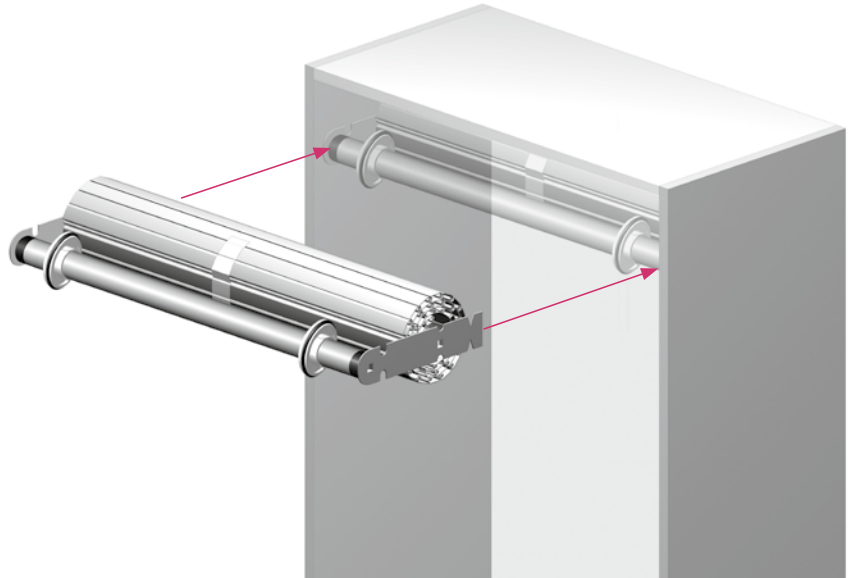
Safety notice:

Do not pretension roller shutter mechanism before installing it in the cabinet!

- Frame track: fasten vertical pelmet mounting profile centrally to the top shelf with screws.
- Press left-hand main bracket (flexible side) to the roller shutter as far as possible
- Guide roller shutter package into the upper part of the cabinet with both hands. The system is now lightly clamped between the inner walls
- Place main brackets on rear screw from above
- Pull system toward the front
- Push roller shutter package into the dowel/screw at the front

Roller shutter package 10 mm from top shelf

- Tighten rear screws and insert additional screws
- If necessary, install vertical stopper (see drilling template DML00311)
- Screw on track on one side (distance between screws is approx. 200 mm)
- Pretension roller shutter package by turning it in a defined way according to the specifications (see table on the next page)

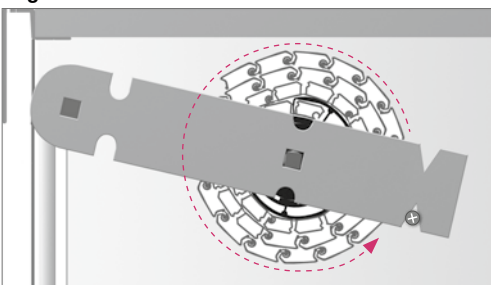


Attention!

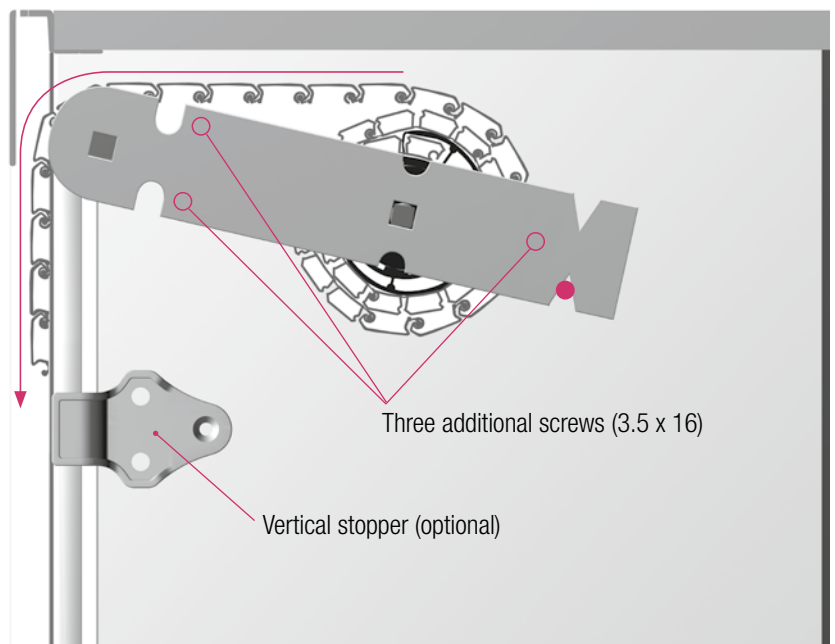
Tensioning only permissible using attached adhesive strips/hook-and-loop tape.

This is an injury hazard.

Direction of rotation for pre-tensioning the angle mechanism



- Pull roller shutter over the deflection roller



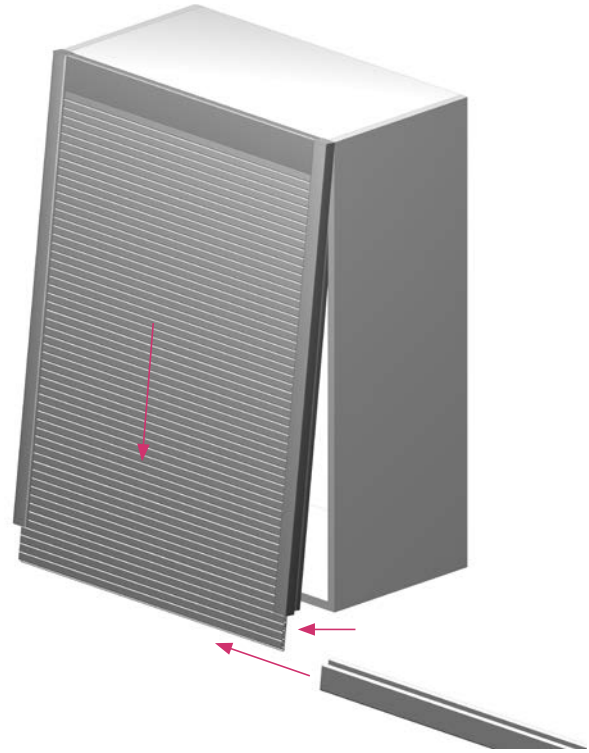
- The second track must not be screwed down before the slam rail is installed
- Pull track away from carcass on one side and pull out roller shutter mat at the bottom until the slam rail can be threaded in
- Slide slam rail into roller shutter curtain
- Check function by opening and closing several times
- Correct pretension by repeating the last few steps above if applicable



Attention!

Correction only permissible using attached adhesive strips/ hook-and-loop tape. This is an injury hazard.

- Screw down the second track
- For frame track only: slide vertical pelmet cover onto bottom section and insert it into the installation profile
- If necessary, Removing protective foils



Pretensioning figures in numbers of turns, tolerance ± 1 turn

Cabinet width Clear internal dimension (mm)	sprung core/ Extension Item no.	Cupboard width internal clearance dimension (mm)				
		600-1000	1000-1350	1350-1700	1700-1950	1950-2200
550-584	R779840-001	1-2**	2	3	4	6
585-749	R779840-001 + R779320-002	2-3	3-4	4-5	5-6	7-8
750-784	R779850-001	2-3	3	5	6	8
785-949	R779850-001 + R779320-002	2-3	4-5	6-7	7-8	9-10
950-984	R779860-001	2-3	4	6	8	10
985-1149	R779860-001 + R779320-002	3-4	4-5	7-8	9-10	11-12
1150-1184	R77870-001	1-2**	3	4	5	7

** For cabinets where little pre-tensioning is required (e.g. 1-2 turns), the running behaviour can be considerably improved by adding to the carpet length.
Recommendation: for a clear internal height of 650 to 1,000 mm, add either 2x E23, 3x E9 or 3x metallic line 25, depending on which profile is being processed.

The pre-tension figures specified are recommendations. The optimum setting for pre-tension must be determined by conducting your own tests. The pretensioning specifications only apply to tambour door profiles in combination with a REHAU grip section. Due to the modular design of the sprung core and extension, with the running properties it must be ensured that the tambour door carpet does not stop at any point in borderline cases but can easily sag or lift.



CONTACT US

NSW

Sydney – Head Office

19 Wonderland Drive,
Eastern Creek NSW 2766
Phone: 1300 668 371
Fax: 1300 668 372

Port Macquarie

40 Jindalee Road,
Port Macquarie NSW 2444
Phone: (02) 6581 2202
Fax: (02) 6581 2220

Newcastle

93 Munibung Road,
Cardiff NSW 2285
Phone: (02) 4956 6626
Fax: (02) 4956 6619

Wagga Wagga

1B Wentworth Street,
Wagga Wagga NSW 2650
Phone: (02) 6921 6499
Fax: (02) 6921 7411

Orange

38 Leewood Drive,
Orange NSW 2800
Phone: (02) 6362 9666
Fax: (02) 6361 4513

Wollongong

3 Lady Penryhn Drive,
Unanderra NSW 2526
Phone: (02) 4271 3266
Fax: (02) 4271 7800

QLD

Brisbane – Main Office

Unit 4/22
Eastern Service Road,
Stapylton QLD 4207
Phone: 1300 599 057
Fax: 1300 599 347

Townsville

33 Hugh Ryan Drive,
Garbutt QLD 4814
Phone: (07) 4775 3500
Fax: (07) 4779 3390

ACT

Fyshwick




Unit 10/145-147 Gladstone Street,
Fyshwick ACT 2609
Phone: (02) 6299 1100
Fax: (02) 6147 3505

VIC

Melbourne

30 Jersey Road,
Bayswater VIC 3153
Phone: (03) 9729 0666
Fax: (03) 9720 5175

FOLLOW US @

 [NoverAustralia](#)  [noveraustralia](#)  [Nover & Co Pty Ltd](#)

NOVER

NOVER & CO PTY LIMITED
ABN 15 001 706 038

19 WONDERLAND DRIVE, EASTERN CREEK NSW 2766
LOCKED BAG 90, WETHERILL PARK BUSINESS CENTRE NSW 1851

† 1300 668 371 ‡ 1300 668 372 ✉ salicesupport@nover.com.au

www.nover.com.au